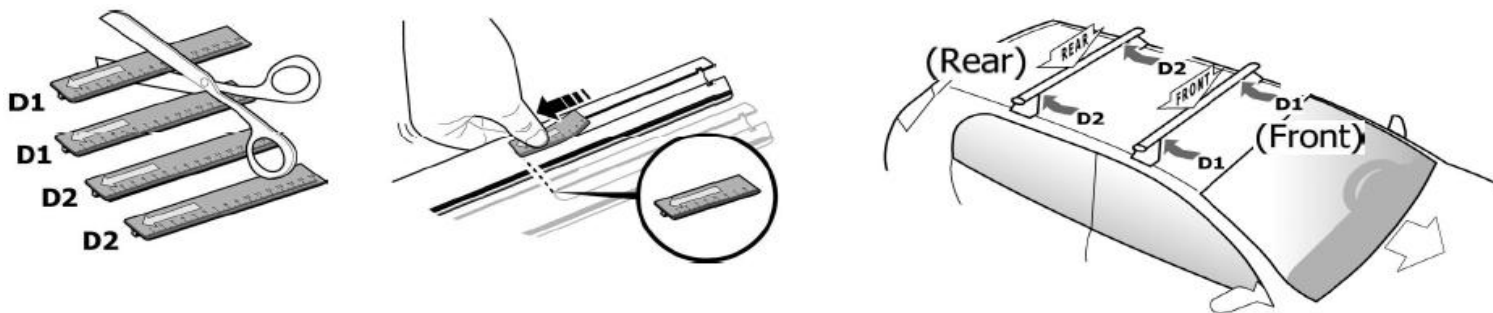
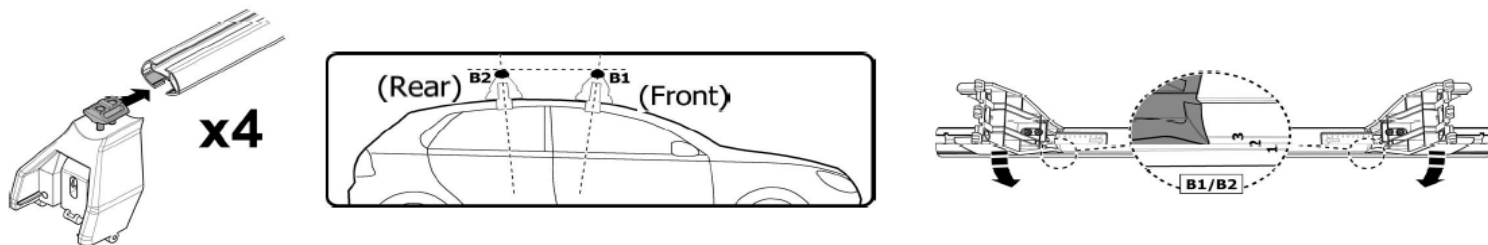


1



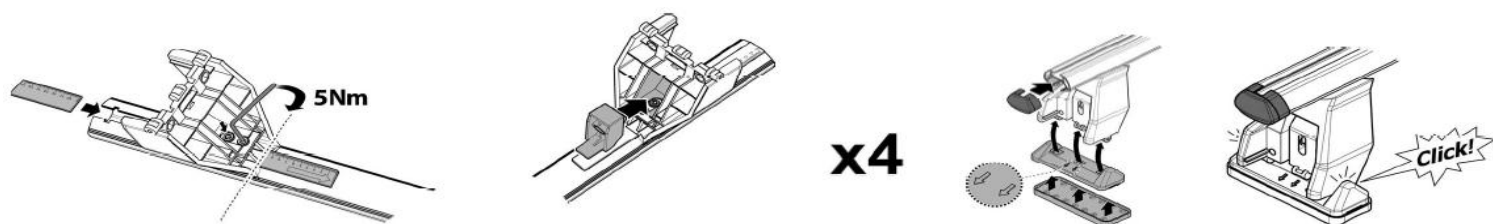
MANUFACTURER	MODEL CAR	DOORS	MODEL YEAR	D1	D2
HYUNDAI	<i>i30 (GD)</i>	5	11>	6,5	8,1
KIA	<i>Cee'D (EU)</i>	5	12>15	6,9	6,0
KIA	<i>Sportage (QL)</i>	5	16>	8,9	8,8
LEXUS	<i>CT Hybrid</i>	5	11>	11,5	12,5
MITSUBISHI	<i>Spacestar</i>	5	16>	4,9	2,5
NISSAN	<i>Leaf</i>	5	16>	8,9	8,6
SEAT	<i>Leon III</i>	5	12>	6,3	5,0
TATA	<i>Vista</i>	5	10>	6,3	7,3

2

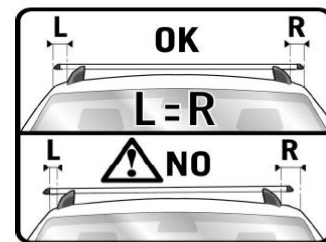
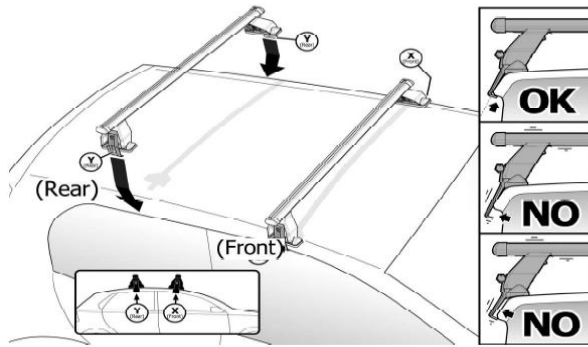
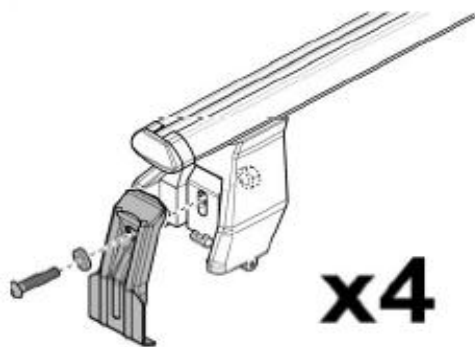


MANUFACTURER	MODEL CAR	DOORS	MODEL YEAR	B1	B2
HYUNDAI	<i>i30 (GD)</i>	5	11>	2	1
KIA	<i>Cee'D (EU)</i>	5	12>15	1	2
KIA	<i>Sportage (QL)</i>	5	16>	1	2
LEXUS	<i>CT Hybrid</i>	5	11>	1	2
MITSUBISHI	<i>Spacestar</i>	5	16>	1	3
NISSAN	<i>Leaf</i>	5	16>	1	2
SEAT	<i>Leon III</i>	5	12>	1	2
TATA	<i>Vista</i>	5	10>	1	2

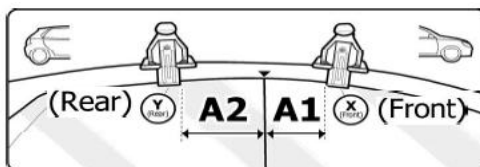
3



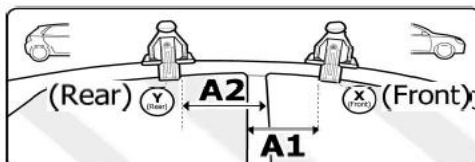
4



5



OR



MANUFACTURER	MODEL CAR	DOORS	MODEL YEAR	A1	A2
HYUNDAI	i30 (GD)	5	11>	19	42
KIA	Cee'D (EU)	5	12>15	23	46
KIA	Sportage (QL)	5	16>	20	45
LEXUS	CT Hybrid	5	11>	27	38
MITSUBISHI	Spacestar	5	16>	X	X
NISSAN	Leaf	5	16>	27	48
SEAT	Leon III	5	12>	23	39
TATA	Vista	5	10>	22	38

X = predisposizione originale /original arrangement