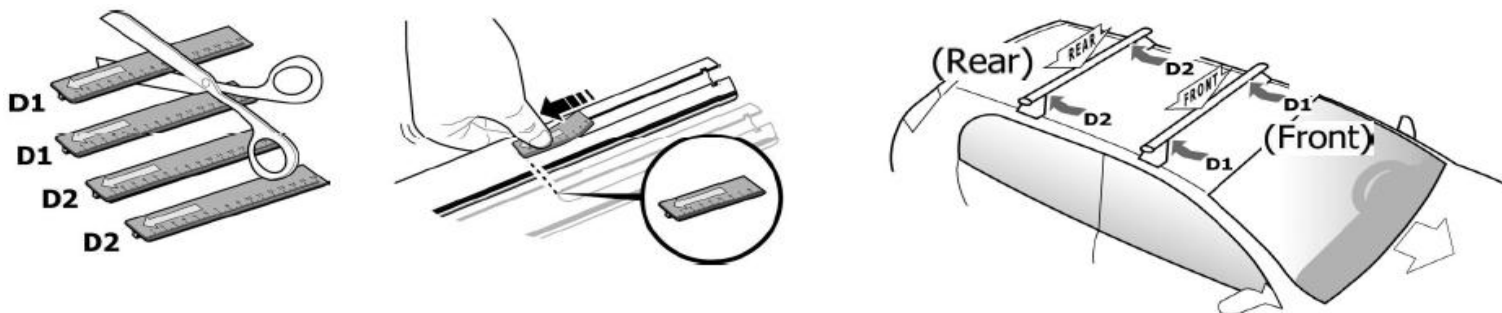
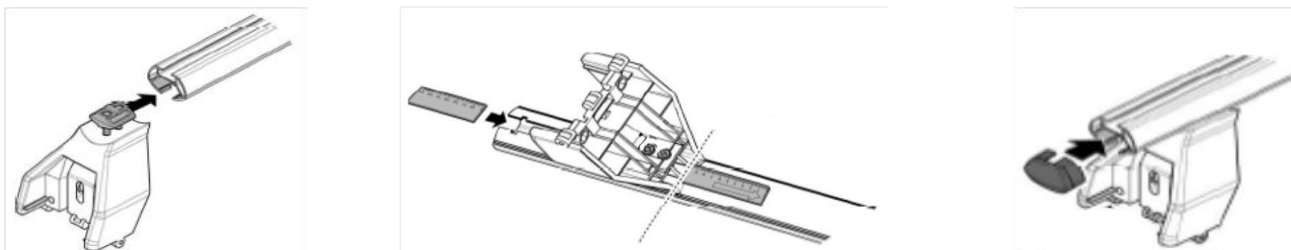


1



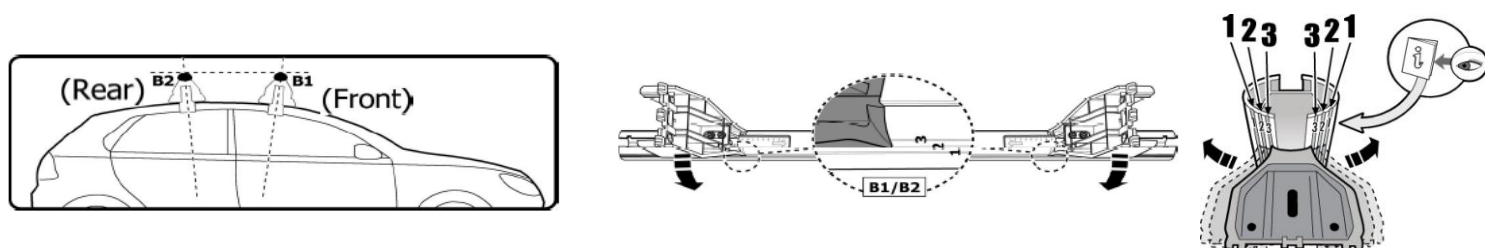
MANUFACTURER	MODEL CAR	DOORS	MODEL YEAR	D1	D2
CITROEN	C4	5	10>13	7,2	6,6

2



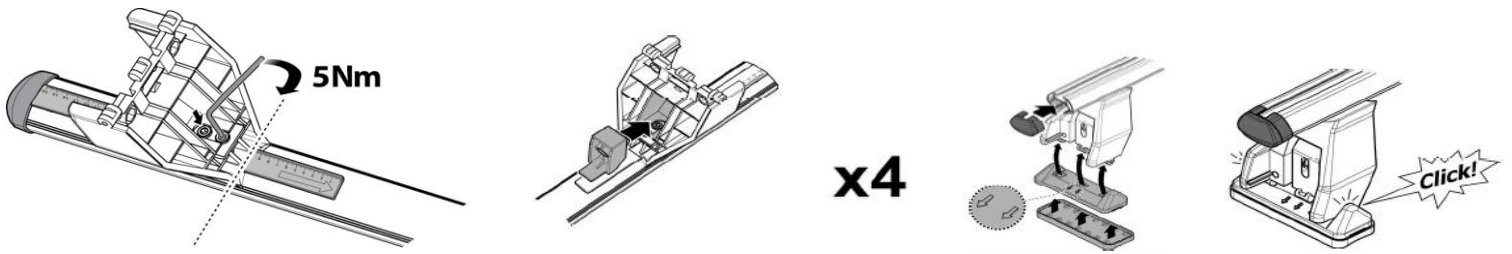
x4

3

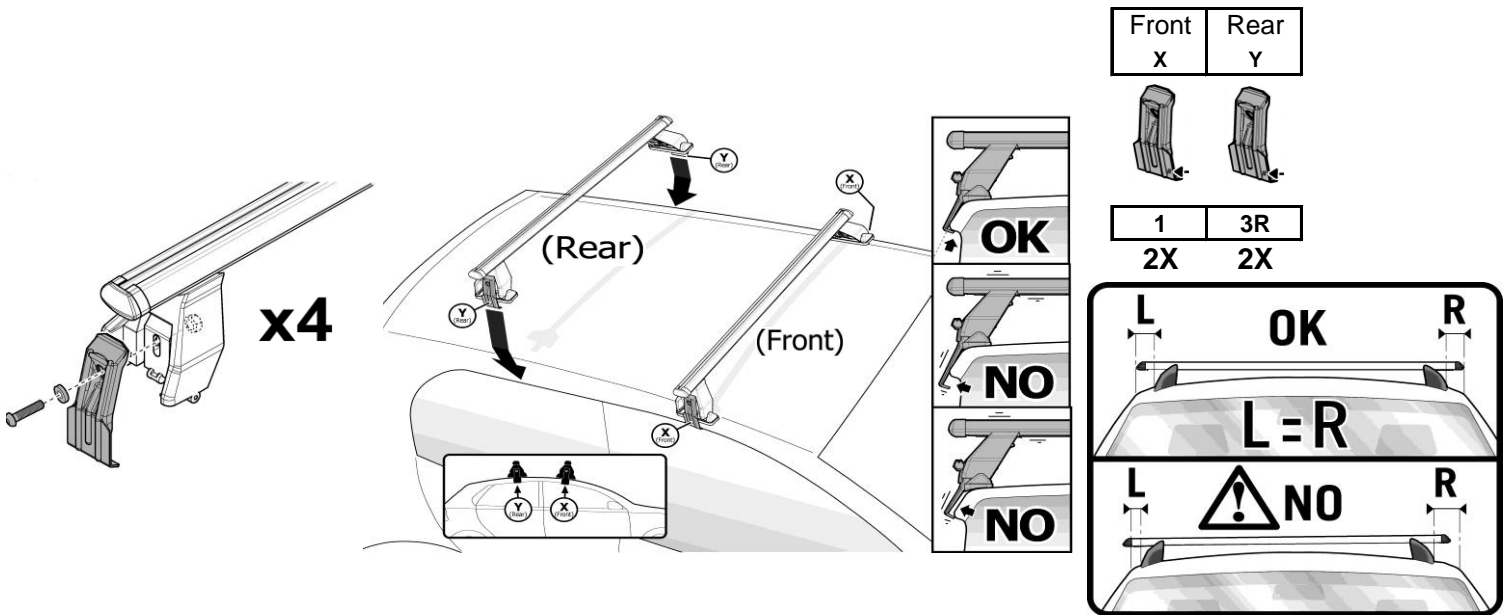


MANUFACTURER	MODEL CAR	DOORS	MODEL YEAR	B1	B2
CITROEN	C4	5	10>13	1	2

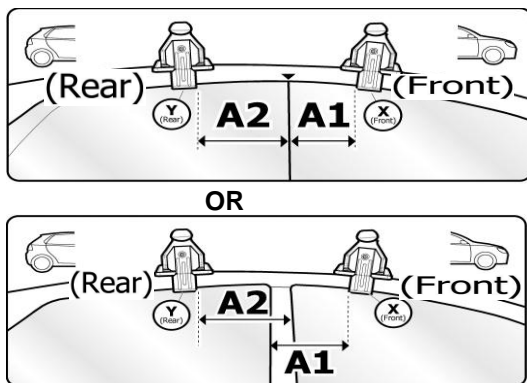
4



5



6



MANUFACTURER	MODEL CAR	DOORS	MODEL YEAR	A1	A2
CITROEN	C4	5	10>13	27	31

X = predisposizione originale /original arrangement