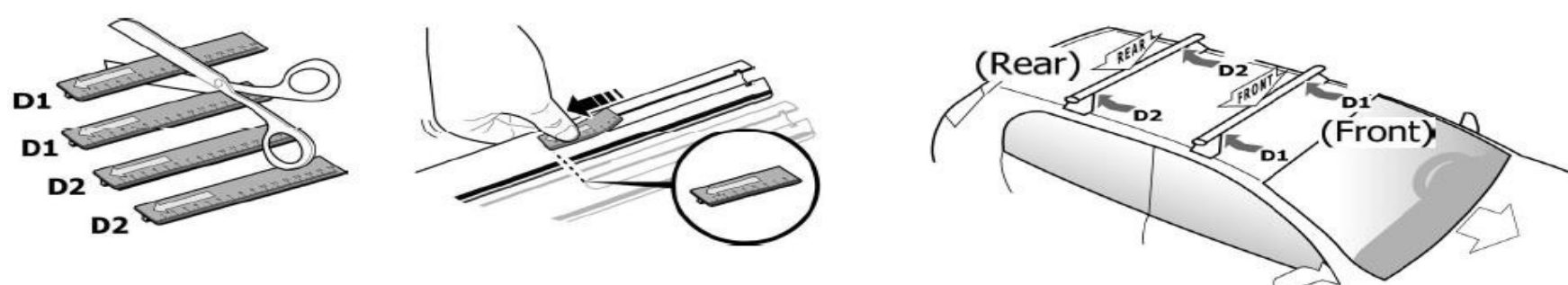
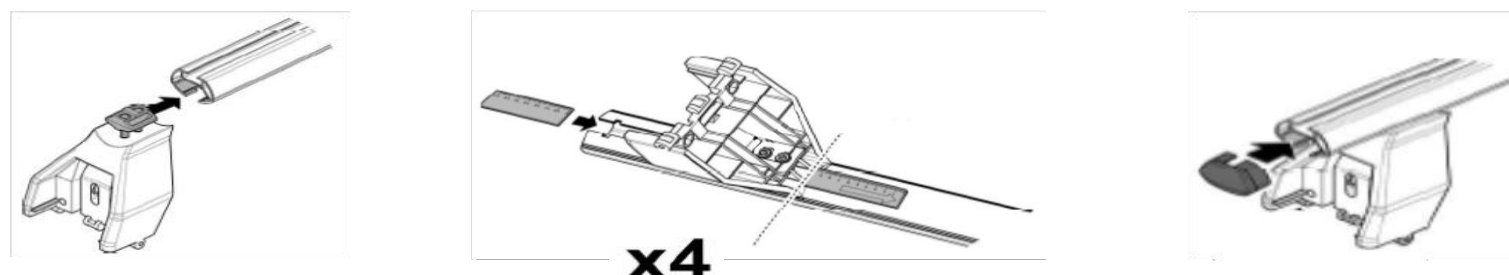


1

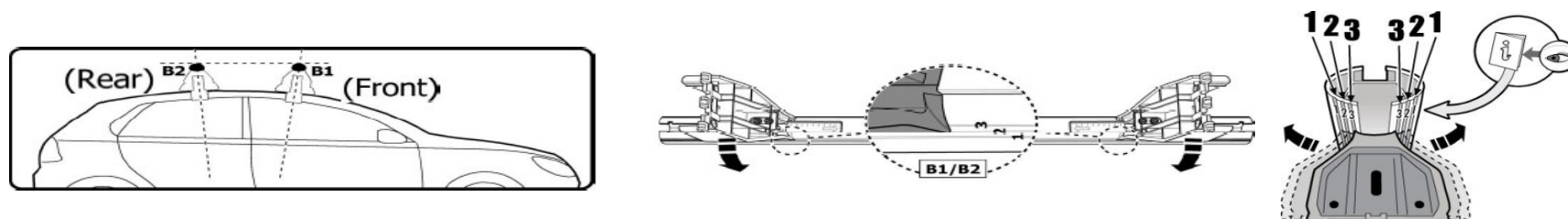


| MANUFACTURER | MODEL CAR | DOORS | MODEL YEAR | D1 | D2 |
|--------------|---------------------------|-------|------------|------|------|
| BMW | X4 (F26) | 5 | 14> | 11.5 | 11.5 |
| CITROEN | Ds4 | 5 | 11> | 6.9 | 7.9 |
| CITROEN | Ds5 | 5 | 11>15 | 7.9 | 5.4 |
| LAND ROVER | Range Rover Evoque (L538) | 4 | 11> | 12.0 | 12.5 |
| LAND ROVER | Range Rover Sport (L494) | 5 | 14> | 7.8 | 7.8 |
| MAZDA | 6 (GJ) | 4 | 13> | 9.8 | 9.8 |
| MAZDA | 3 / 3 Sport / Axela (BP) | 5 | 19> | 7.1 | 7.1 |
| RENAULT | Scenic X Mod | 5 | 13> | 10.3 | 9.8 |

2

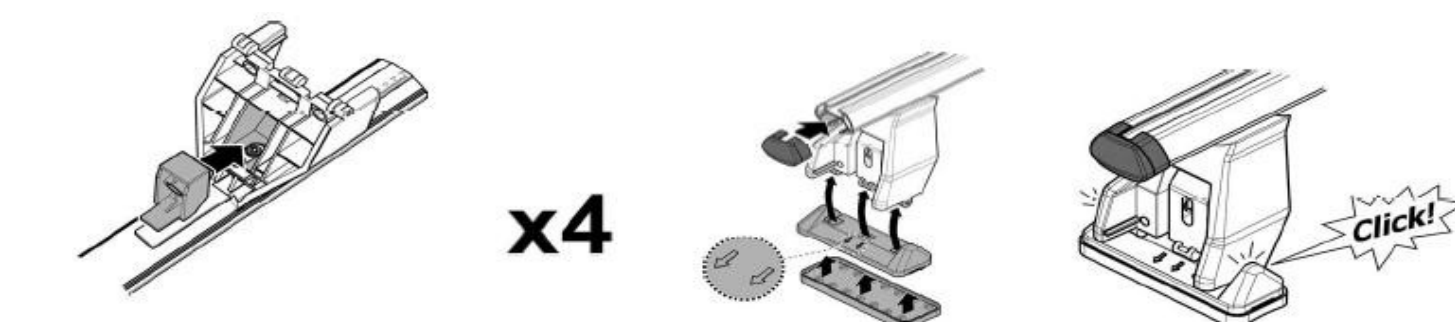


3

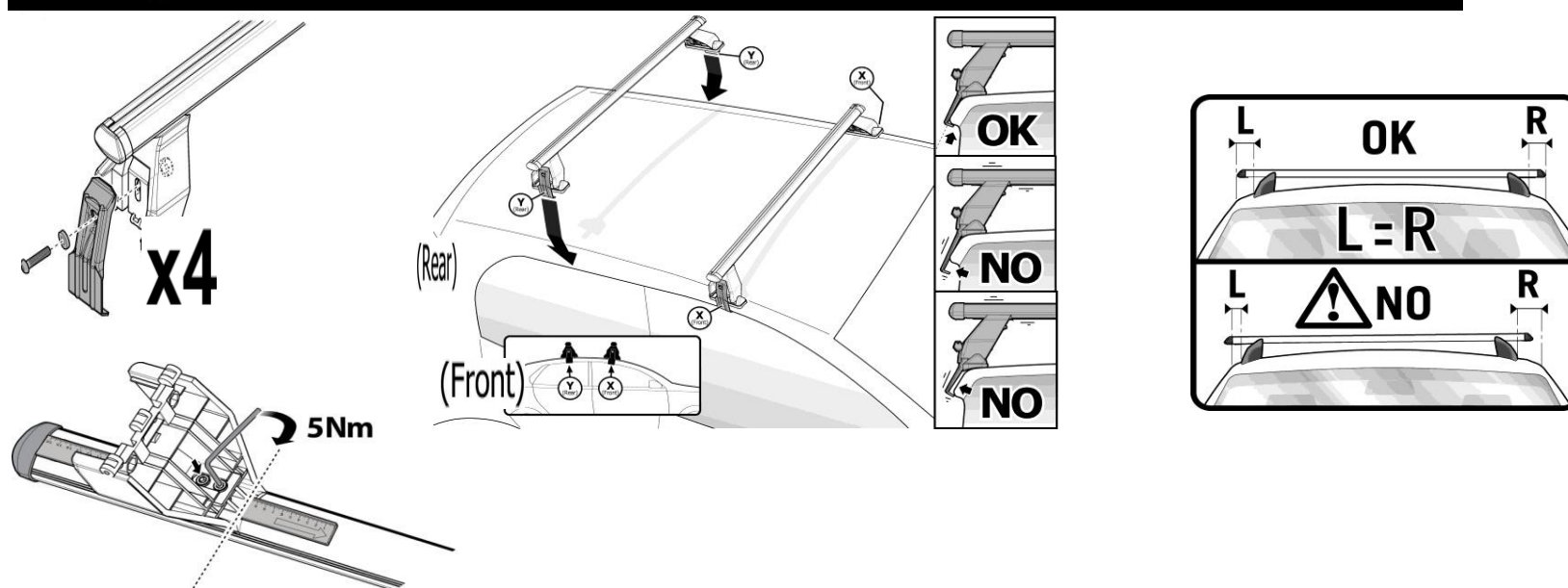


| MANUFACTURER | MODEL CAR | DOORS | MODEL YEAR | B1 | B2 |
|--------------|---------------------------|-------|------------|----|----|
| BMW | X4 (F26) | 5 | 14> | 1 | 1 |
| CITROEN | Ds4 | 5 | 11> | 2 | 1 |
| CITROEN | Ds5 | 5 | 11>15 | 2 | 2 |
| LAND ROVER | Range Rover Evoque (L538) | 4 | 11> | 2 | 2 |
| LAND ROVER | Range Rover Sport (L494) | 5 | 14> | 2 | 2 |
| MAZDA | 6 (GJ) | 4 | 13> | 1 | 1 |
| MAZDA | 3 / 3 Sport / Axela (BP) | 5 | 19> | 1 | 2 |
| RENAULT | Scenic X Mod | 5 | 13> | 1 | 2 |

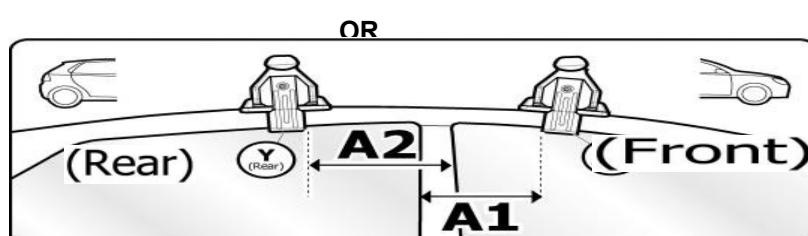
4



5



6



| MANUFACTURER | MODEL CAR | DOORS | MODEL YEAR | A1 | A2 |
|--------------|---------------------------|-------|------------|----|----|
| BMW | X4 (F26) | 5 | 14> | 30 | 40 |
| CITROEN | Ds4 | 5 | 11> | 26 | 37 |
| CITROEN | Ds5 | 5 | 11>15 | 28 | 35 |
| LAND ROVER | Range Rover Evoque (L538) | 4 | 11> | 23 | 52 |
| LAND ROVER | Range Rover Sport (L494) | 5 | 14> | 30 | 45 |
| MAZDA | 6 (GJ) | 4 | 13> | 16 | 45 |
| MAZDA | 3 / 3 Sport / Axela (BP) | 5 | 19> | 16 | 45 |
| RENAULT | Scenic X Mod | 5 | 13> | 23 | 41 |

X = predisposizione originale / original arrangement