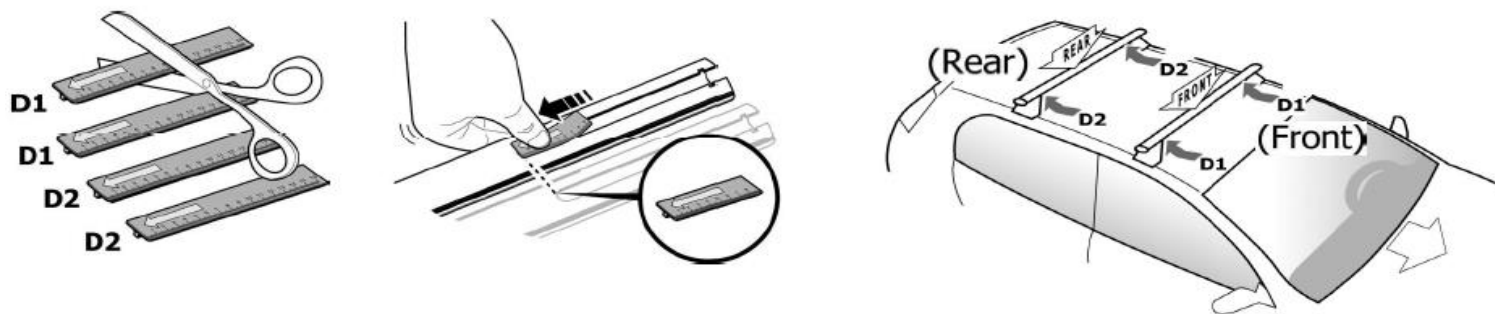
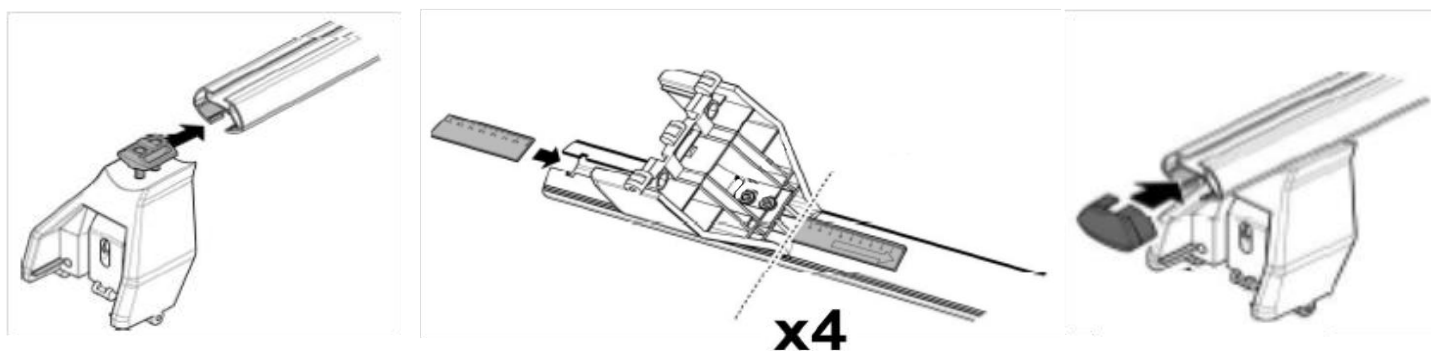


1

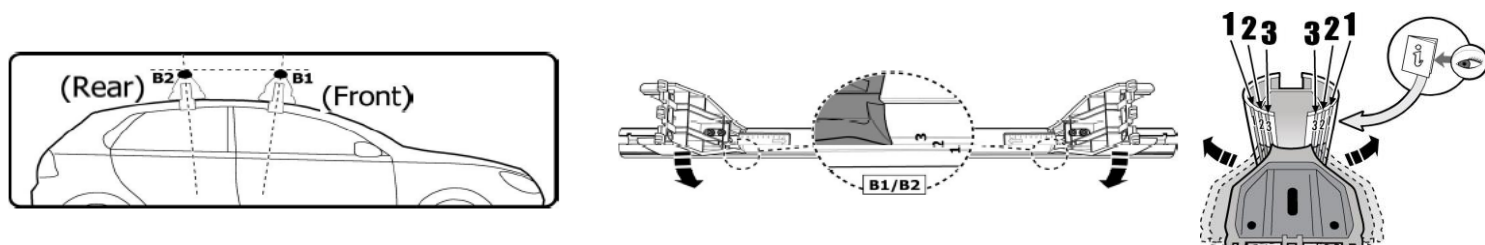


MANUFACTURER	MODEL CAR	DOORS	MODEL YEAR	D1	D2
RENAULT	Grand Scenic IV	5	17>	13,7	10,6
RENAULT	Scenic IV	5	17>	13,5	9,7
VOLVO	S90	4	16>	76,0	8,3

2

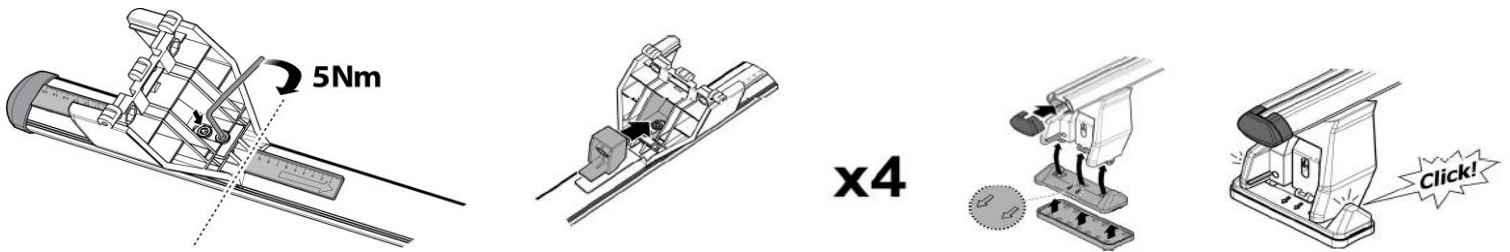


3

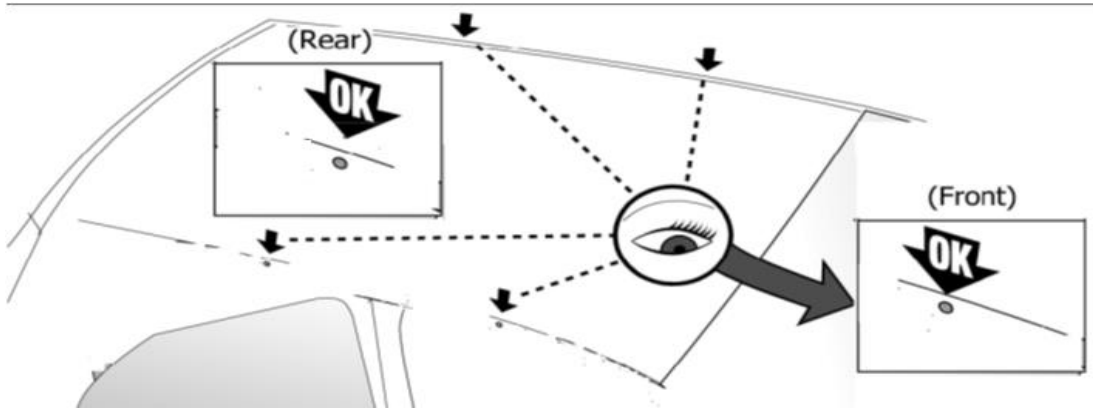


MANUFACTURER	MODEL CAR	DOORS	MODEL YEAR	B1	B2
RENAULT	Grand Scenic IV	5	17>	2	2
RENAULT	Scenic IV	5	17>	2	2
VOLVO	S90	4	16>	1	3

4



5



6

