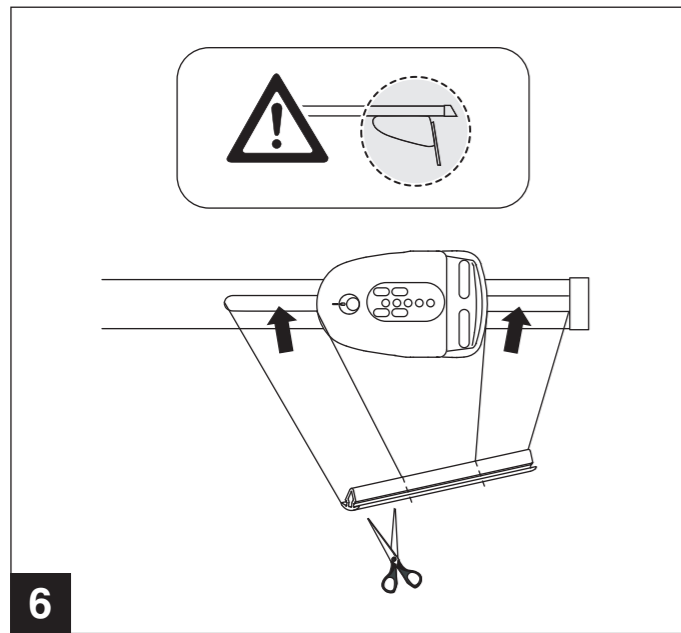
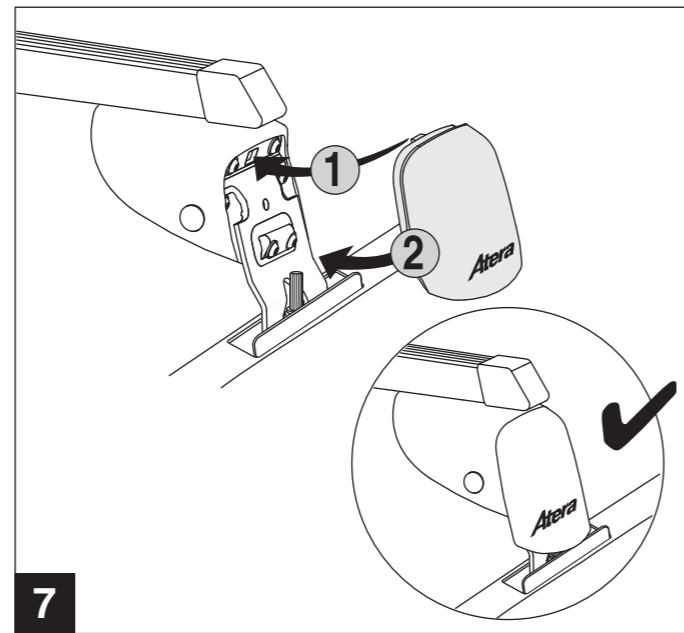


# Atera SIGNO

Mercedes Benz  
B-Klasse (W247) 02/2019-

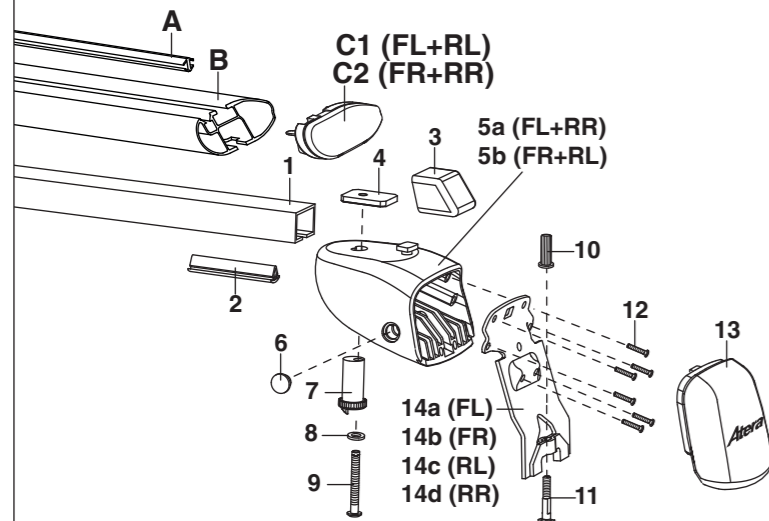


6

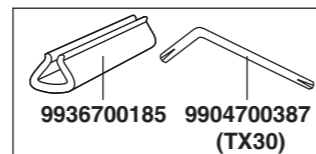


7

nur bei Art.Nr.: 047 364  
only for part no.: 047 364  
A- 9919700163  
B- 9945700222  
C1- 8828700062  
C2- 8828700063



- 1- 9945700090
- 2- 9919700062
- 3- 9945700105
- 4- 9912700051
- 5a- 9918700526
- 5b- 9918700527
- 6- 9918700250
- 7- 9918700249
- 8- 9910700004
- 9- 9908700231
- 10- 9912700100
- 11- 9908700356
- 12- 9908700010
- 13- 9918700243
- 14a- 9949701851
- 14b- 9949701852
- 14c- 9949701853
- 14d- 9949701854



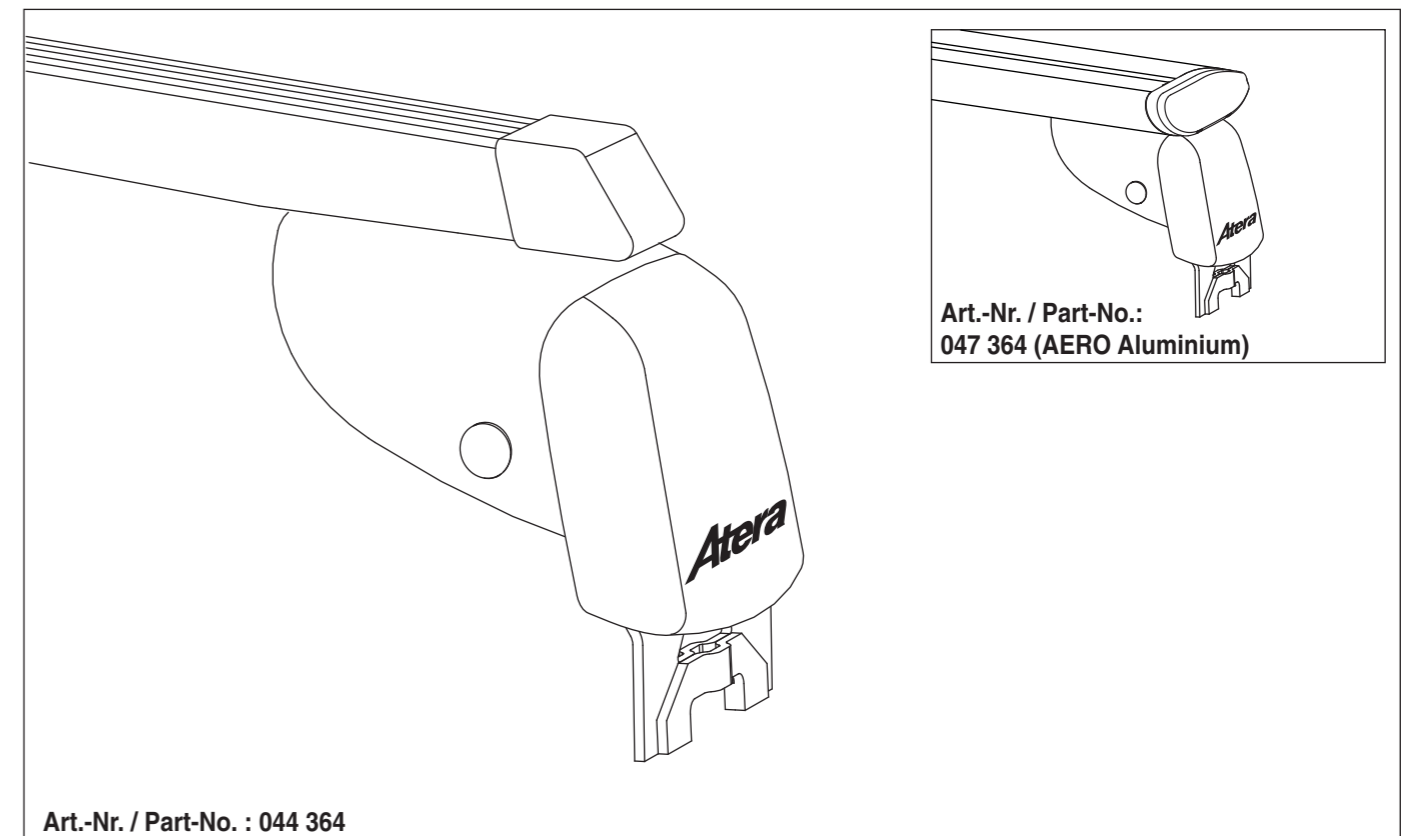
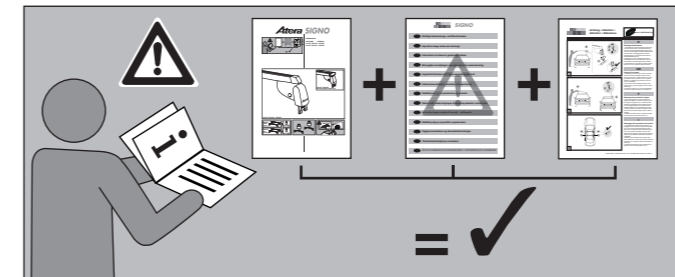
8

# Atera SIGNO

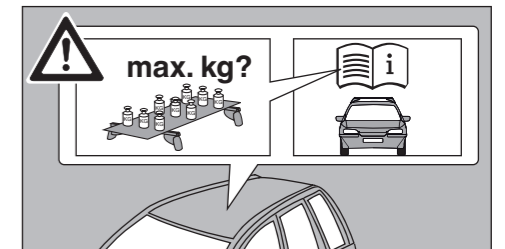
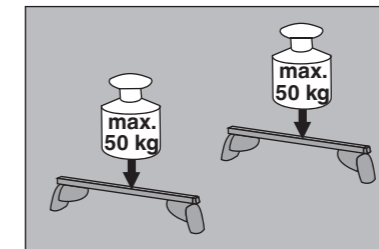
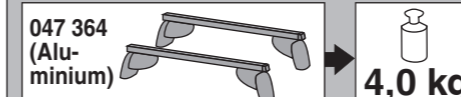
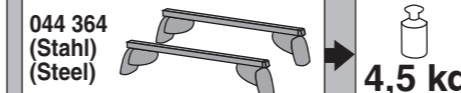
Mercedes Benz

B-Klasse (W247) 02/2019-

Art.-Nr. / Part-No. : 044 364  
Art.-Nr. / Part-No. : 047 364



Art.-Nr. / Part-No. : 044 364



**Atera**  
MADE IN GERMANY

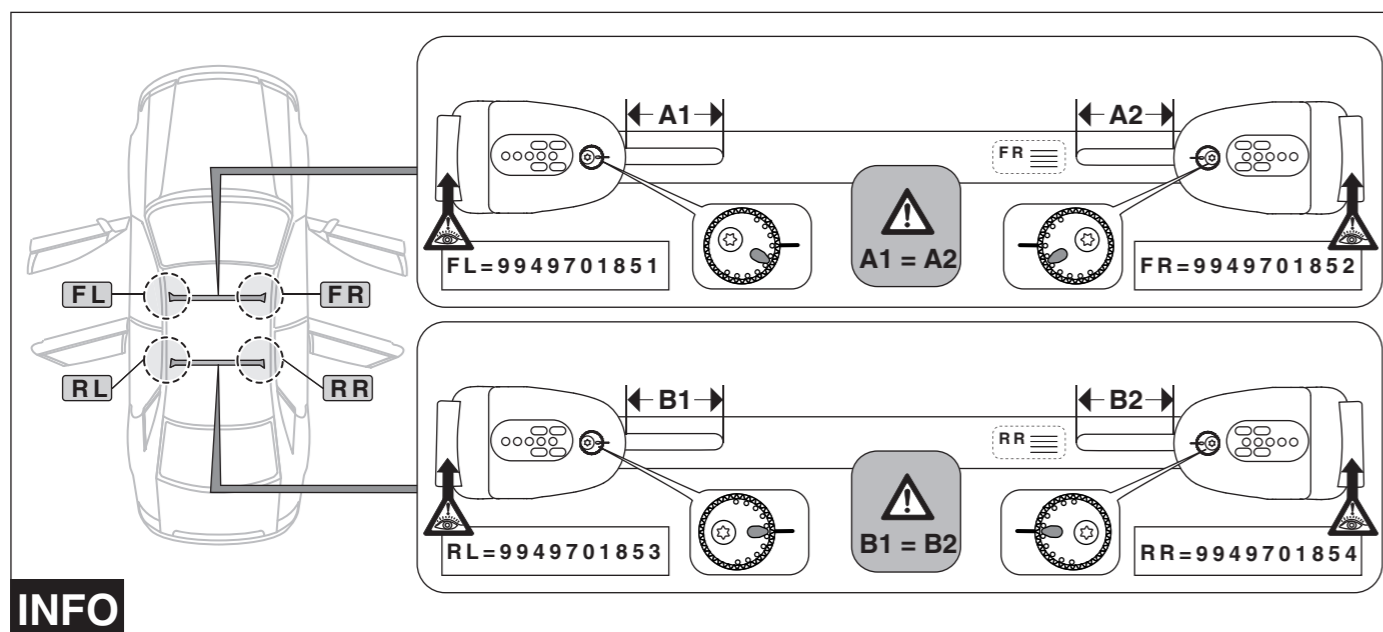
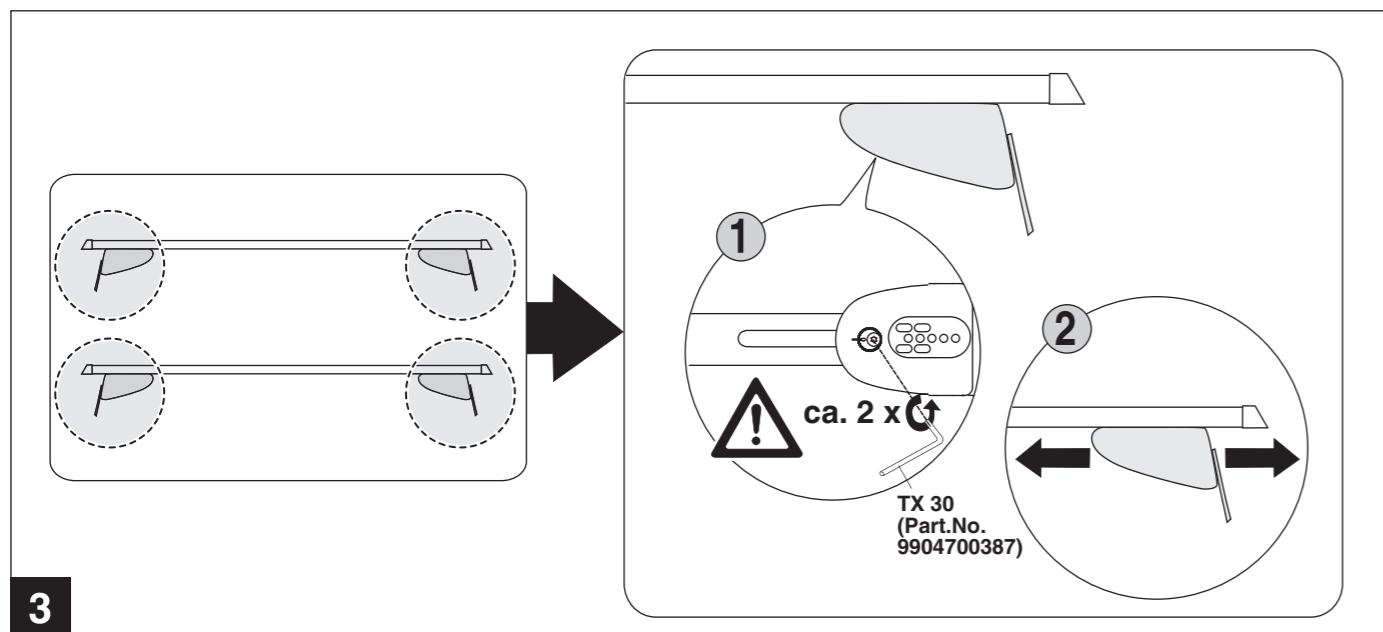
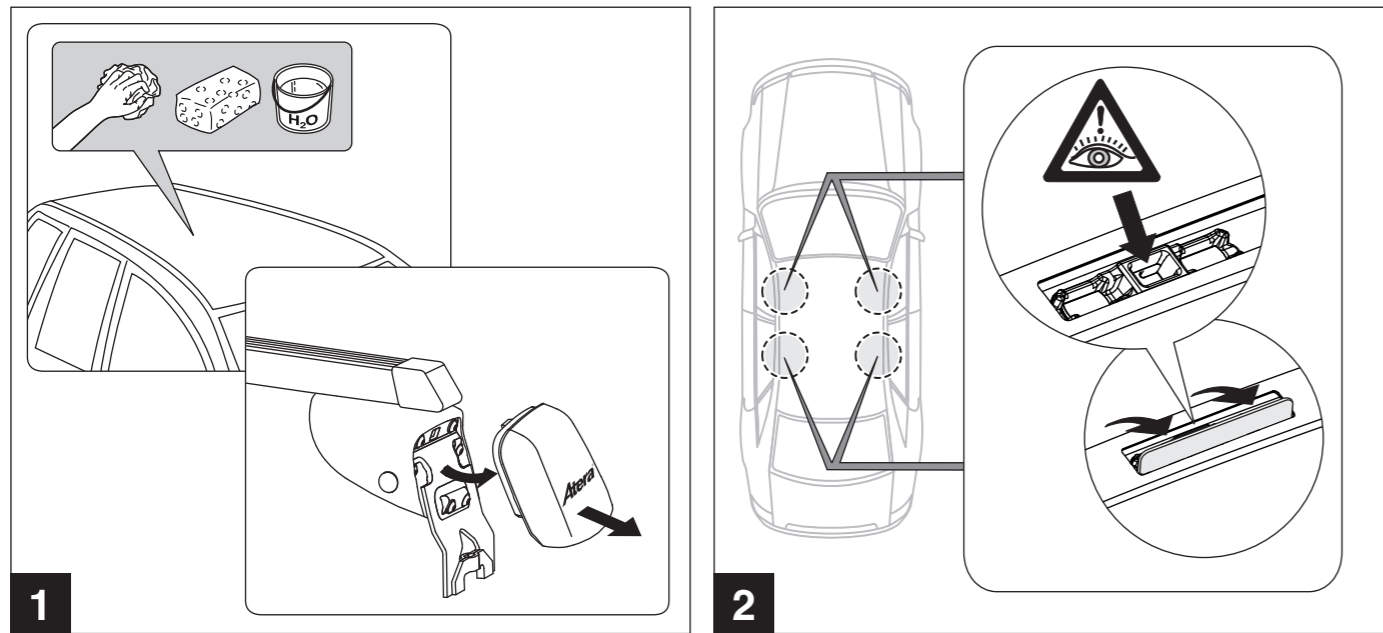
Atera GmbH  
Im Herrach 1  
D-88299 Leutkirch  
Internet: www.atera.de



© ATERA GmbH  
Ref.-Nr.: 044 364\_096434436400\_992570050200  
Ref.-Nr.: 047 364\_096434736400\_992570050200  
Stand/State: 26 09 2019 – Rev 00 Ver 00

# Atera SIGNO

Mercedes Benz  
B-Klasse (W247) 02/2019-



INFO

# Atera SIGNO

Mercedes Benz  
B-Klasse (W247) 02/2019-

