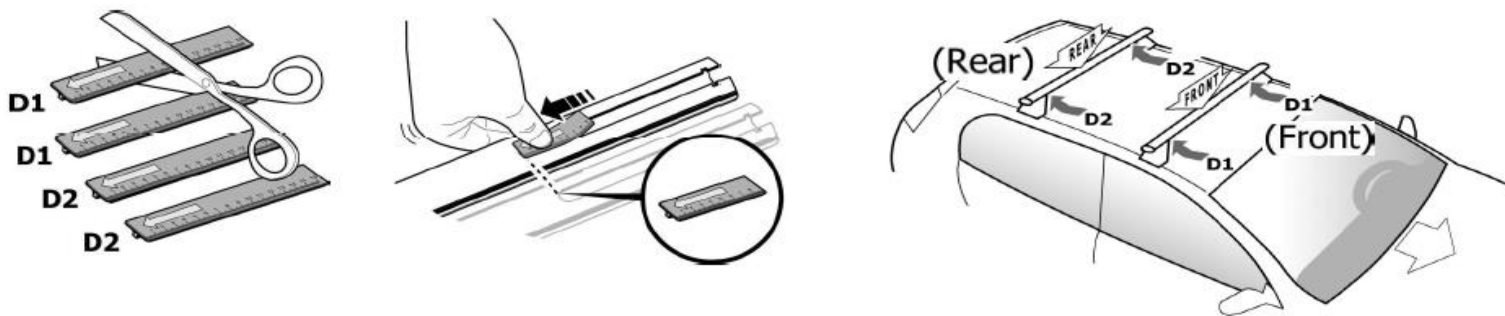
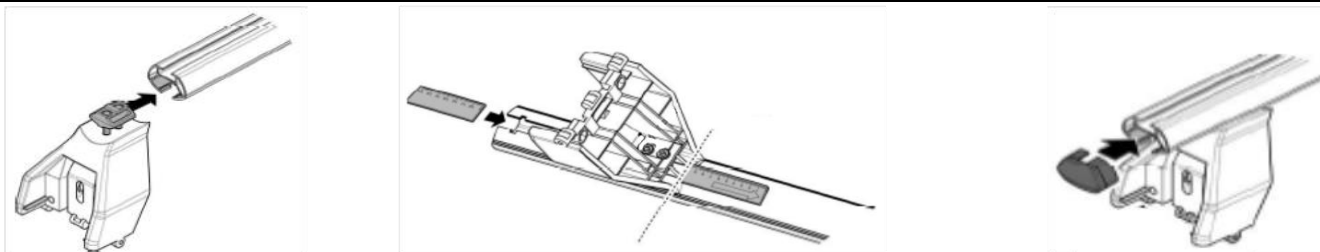


1



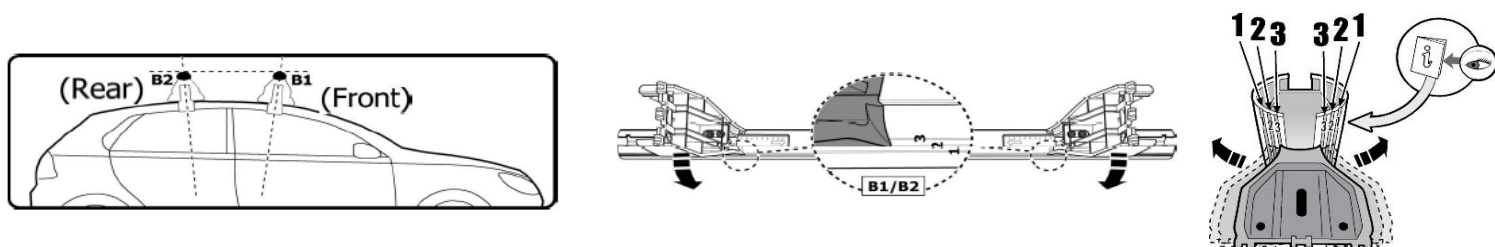
MANUFACTURER	MODEL CAR	DOORS	MODEL YEAR	D1	D2
FIAT	Punto II	3	99>07	10,6	14,1
FIAT	Punto II Classic	3	07>10	10,6	14,1

2



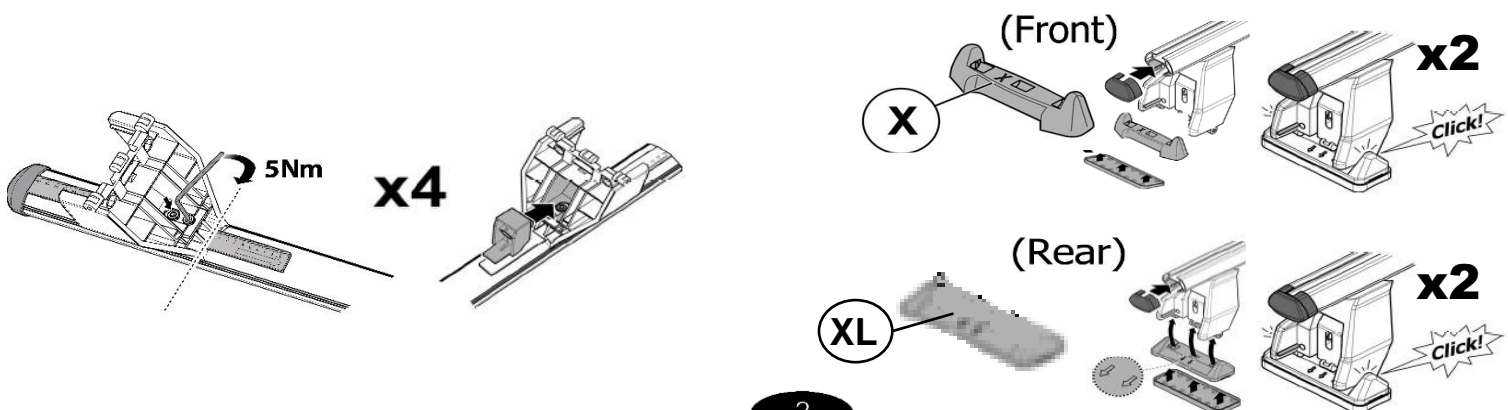
x4

3



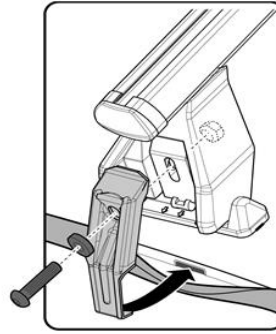
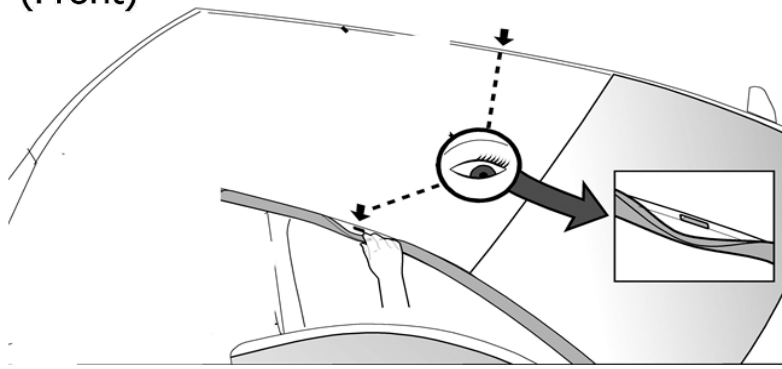
MANUFACTURER	MODEL CAR	DOORS	MODEL YEAR	B1	B2
FIAT	Punto II	3	99>07	1	2
FIAT	Punto II Classic	3	07>10	1	2

4



5

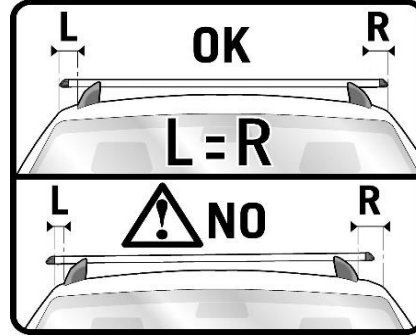
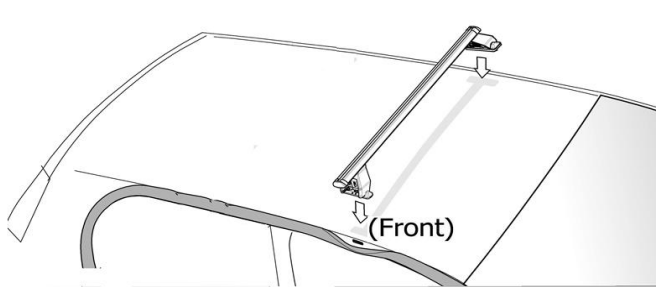
(Front)



Front
X

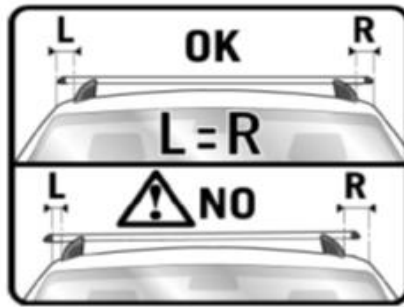
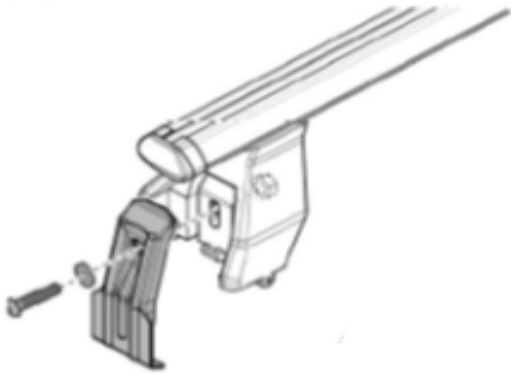


9
x2



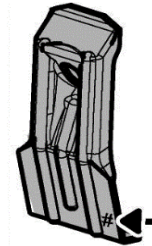
6

(Rear)

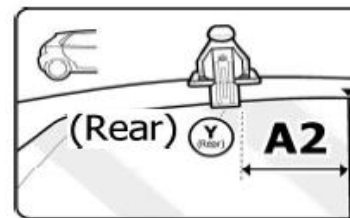
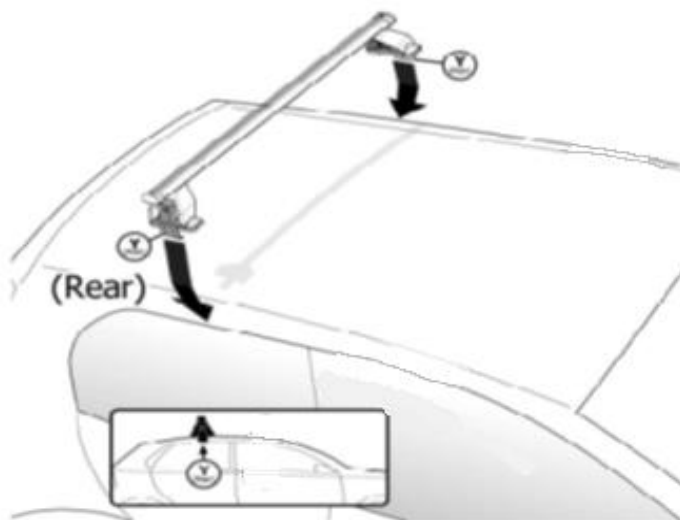


X2

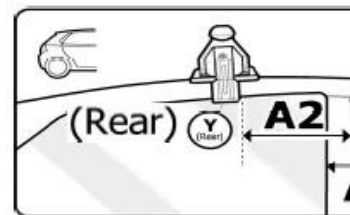
Rear
Y



9R
x2



OR



MANUFACTURER	MODEL CAR	DOORS	MODEL YEAR	A1	A2	A1	A2
				cm	cm	in	in
FIAT	Punto II	3	99>07		X		X
FIAT	Punto II Classic	3	07>10		X		X

X = predisposizione originale /original arrangement