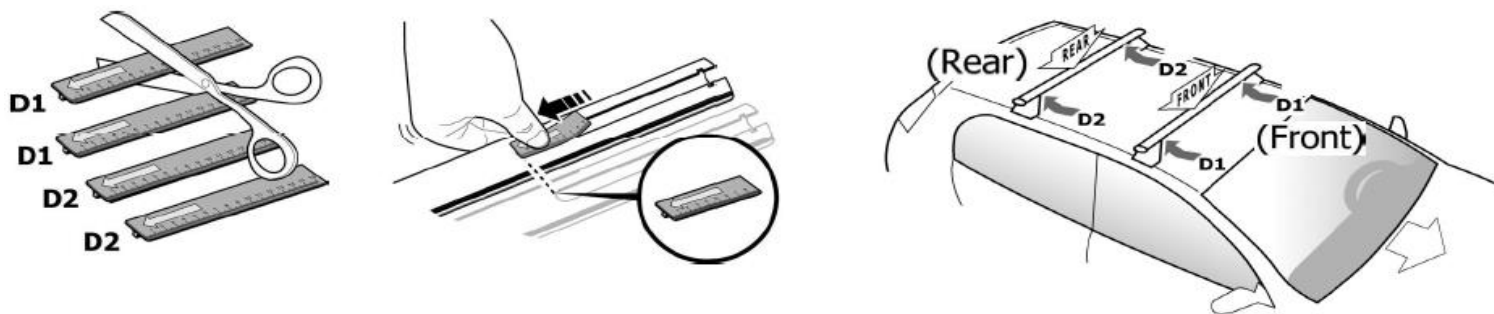
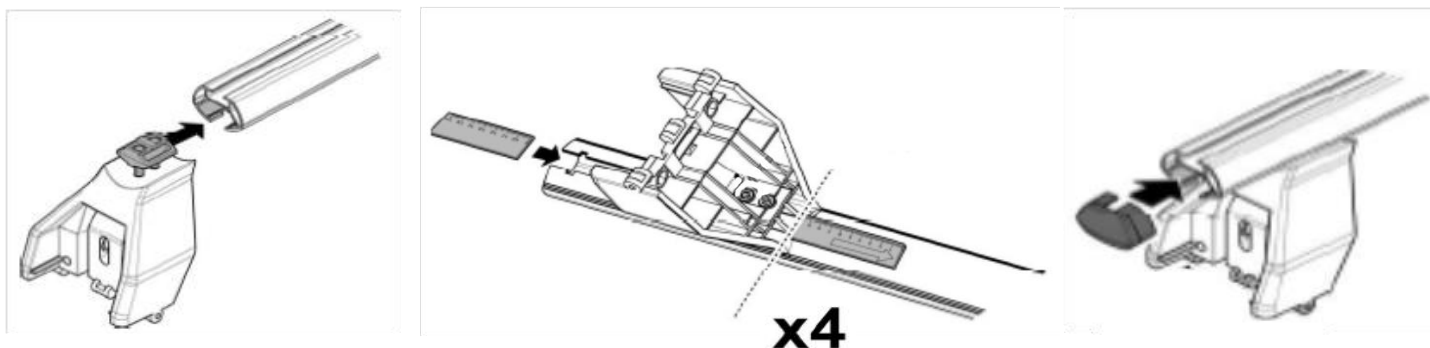


1

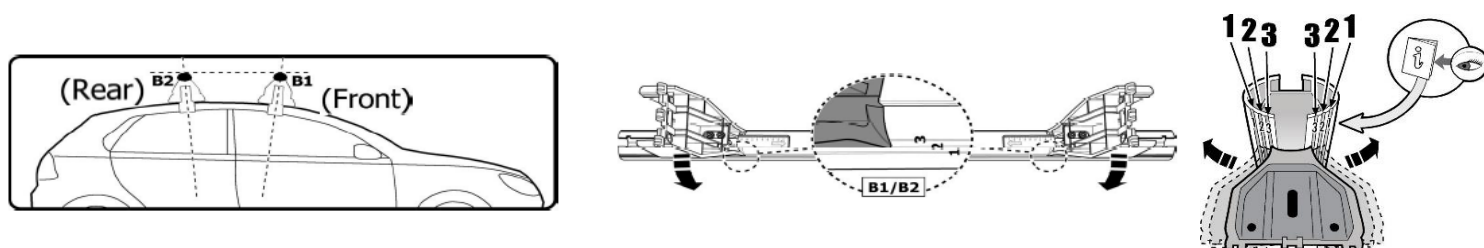


MANUFACTURER	MODEL CAR	DOORS	MODEL YEAR	D1	D2
PEUGEOT	206	5	98>09	7,5	7,0
PEUGEOT	206 Plus	5	09>12	7,5	7,0

2

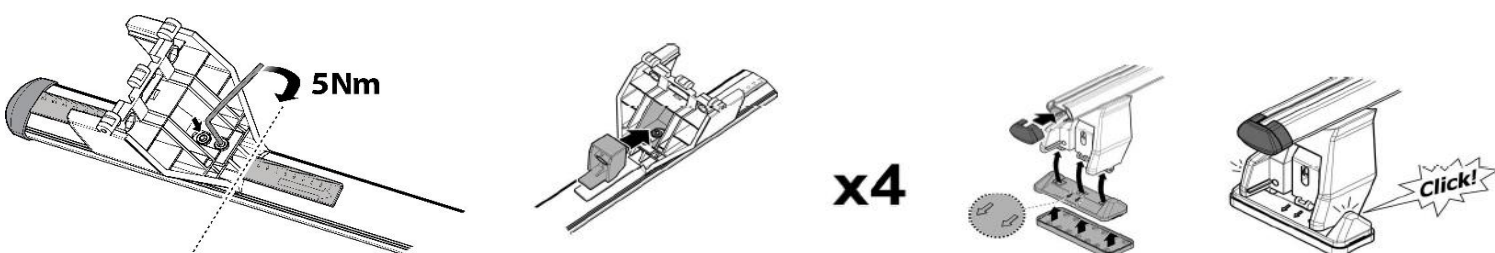


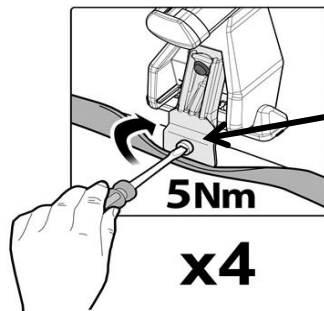
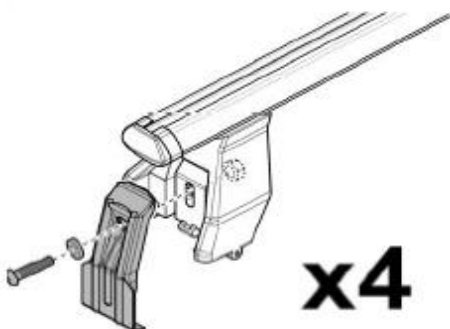
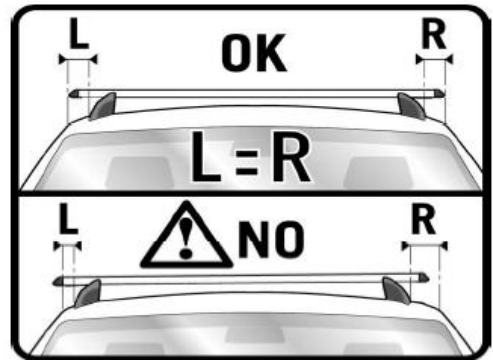
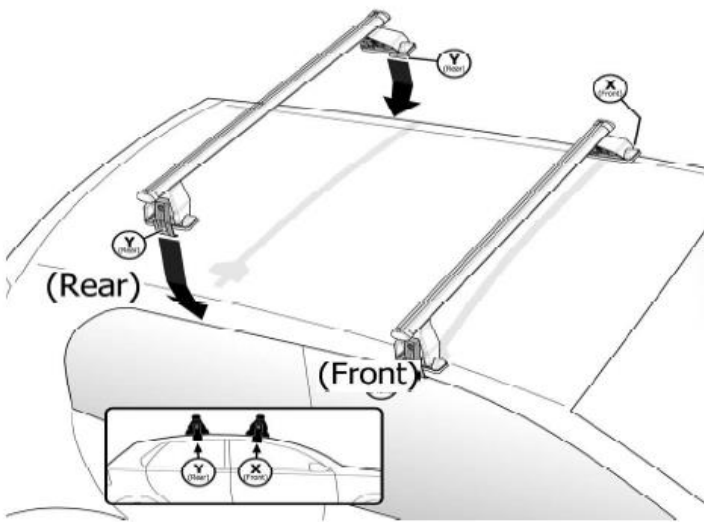
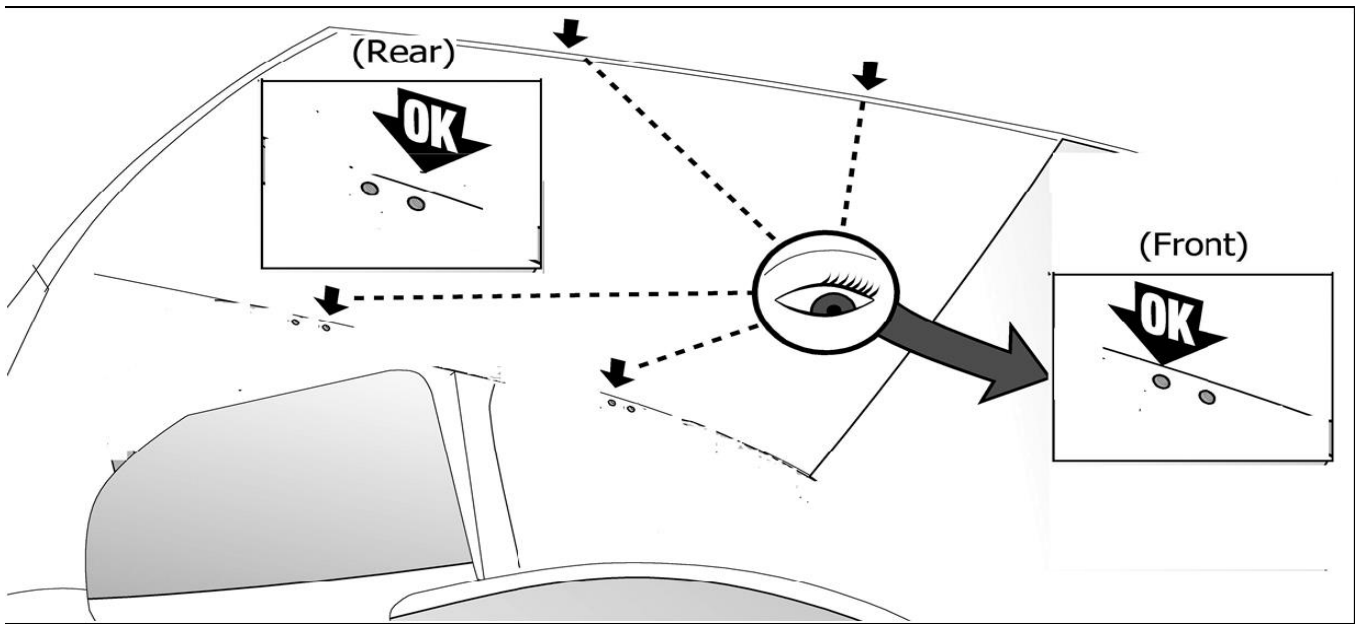
3



MANUFACTURER	MODEL CAR	DOORS	MODEL YEAR	B1	B2
PEUGEOT	206	5	98>09	2	2
PEUGEOT	206 Plus	5	09>12	2	2

4





⊕ M6x12 include - included
 Kit ricambio - Replacement Kit
 70002490000