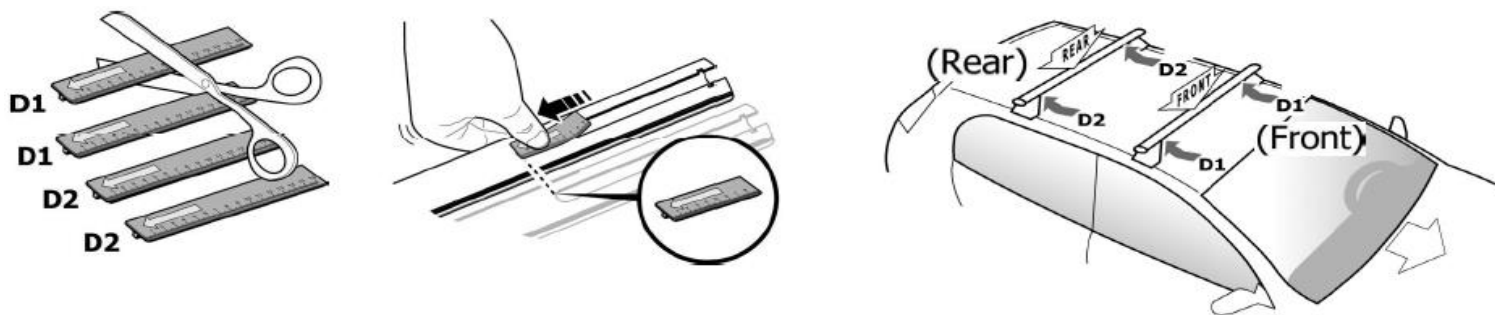
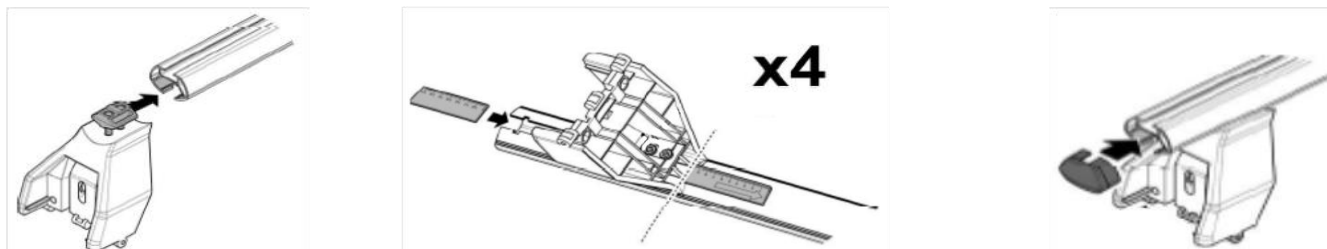


**1**

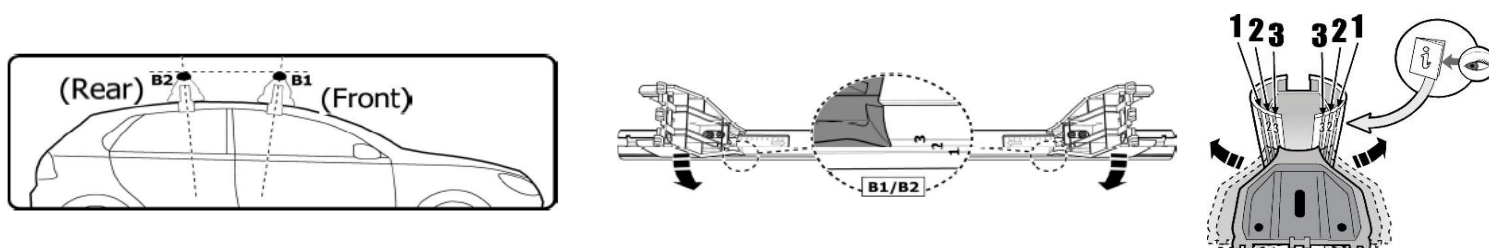


| MANUFACTURER | MODEL CAR             | DOORS | MODEL YEAR | D1   | D2   |
|--------------|-----------------------|-------|------------|------|------|
| NISSAN       | X-Trail (T33) / Rogue | 5     | 22>        | 8,8  | 8,3  |
| SSANGYONG    | Actyon Sports         | 4     | 07>        | 11,3 | 10,0 |
| VOLKSWAGEN   | Jetta (A6/5C6)        | 4     | 11>18      | 5,2  | 7,7  |

**2**

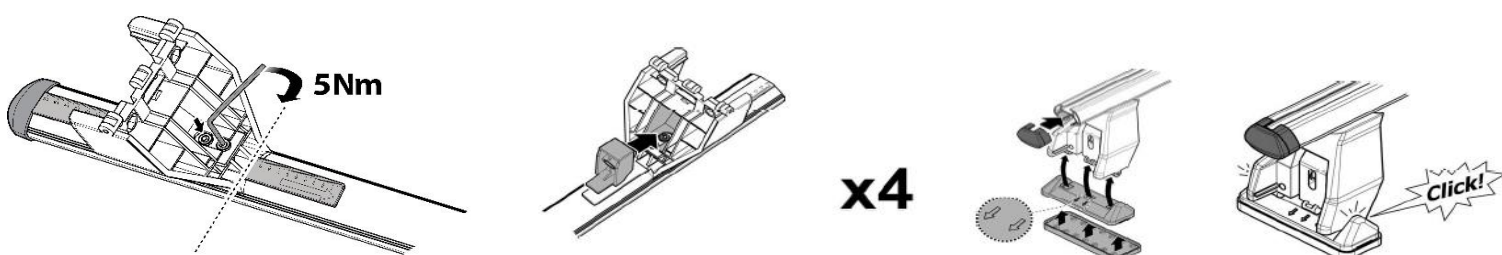


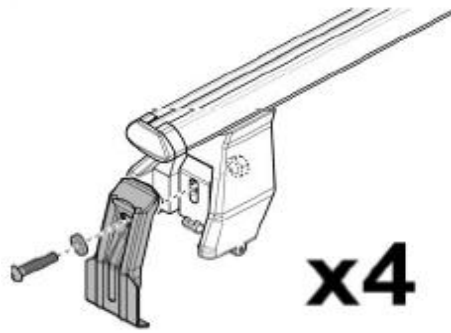
**3**



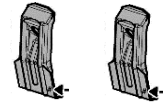
| MANUFACTURER | MODEL CAR             | DOORS | MODEL YEAR | B1 | B2 |
|--------------|-----------------------|-------|------------|----|----|
| NISSAN       | X-Trail (T33) / Rogue | 5     | 22>        | 2  | 2  |
| SSANGYONG    | Actyon Sports         | 4     | 07>        | 2  | 2  |
| VOLKSWAGEN   | Jetta (A6/5C6)        | 4     | 11>18      | 1  | 2  |

**4**

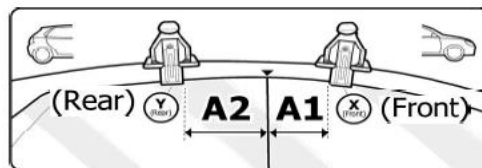
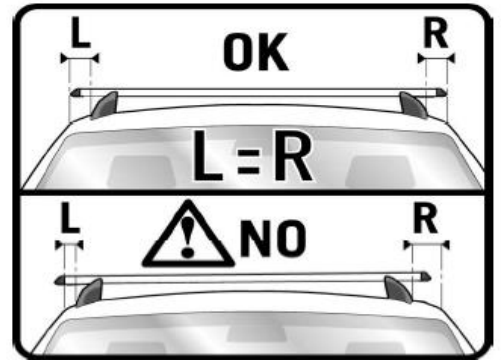
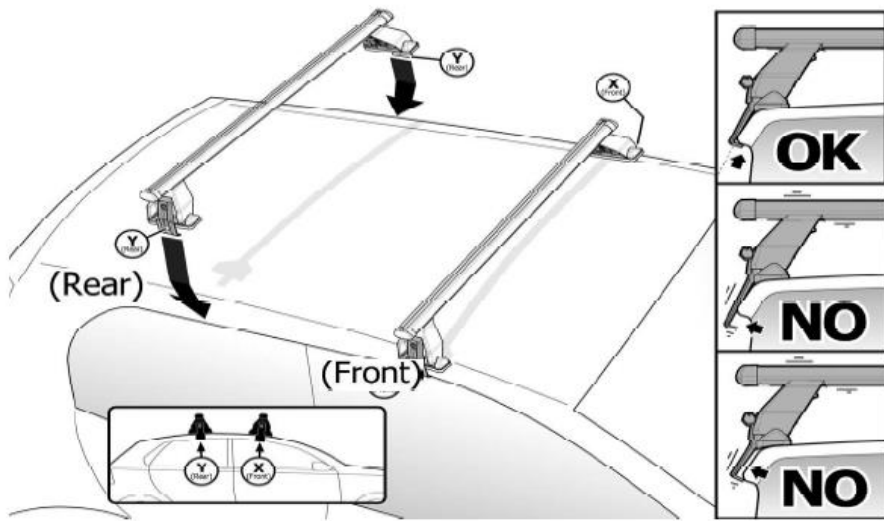




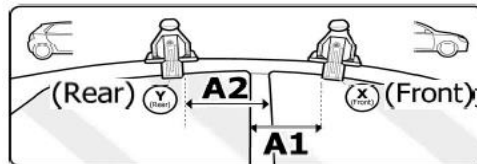
|       |      |
|-------|------|
| Front | Rear |
| X     | Y    |



|    |     |
|----|-----|
| 1  | 21R |
| 2X | 2X  |



OR



| MANUFACTURER | MODEL CAR             | DOORS | MODEL YEAR | A1 | A2 | A1 | A2 |
|--------------|-----------------------|-------|------------|----|----|----|----|
|              |                       |       |            | cm | cm | in | in |
| NISSAN       | X-Trail (T33) / Rogue | 5     | 22>        | 12 | 53 | 5  | 21 |
| SSANGYONG    | Actyon Sports         | 4     | 07>        | 20 | 50 | 8  | 20 |
| VOLKSWAGEN   | Jetta (A6/5C6)        | 4     | 11>18      | 32 | 32 | 13 | 13 |

X = predisposizione originale /original arrangement