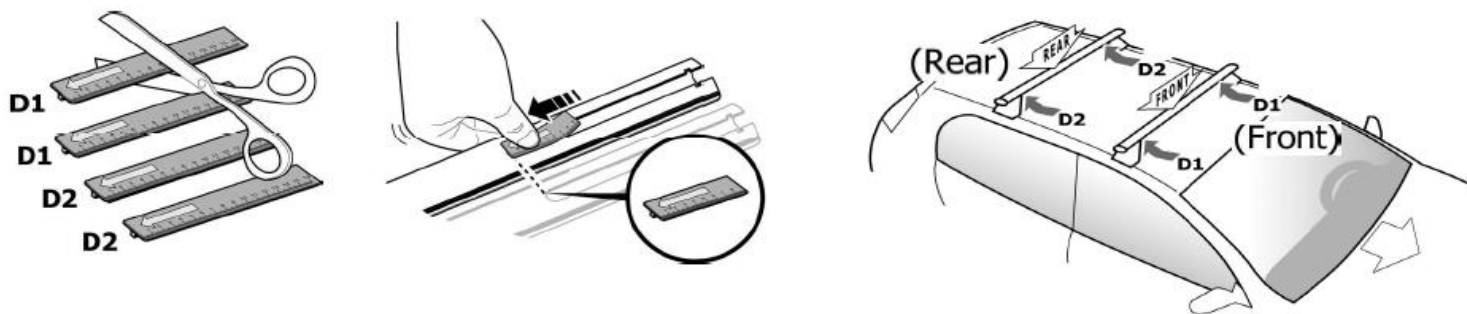
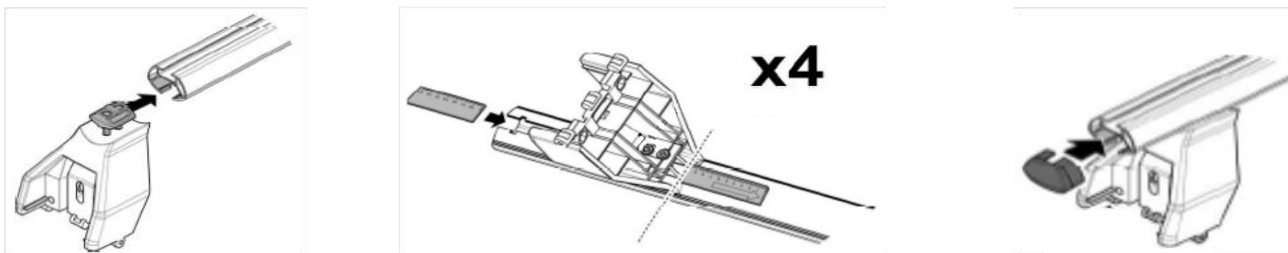


**1**

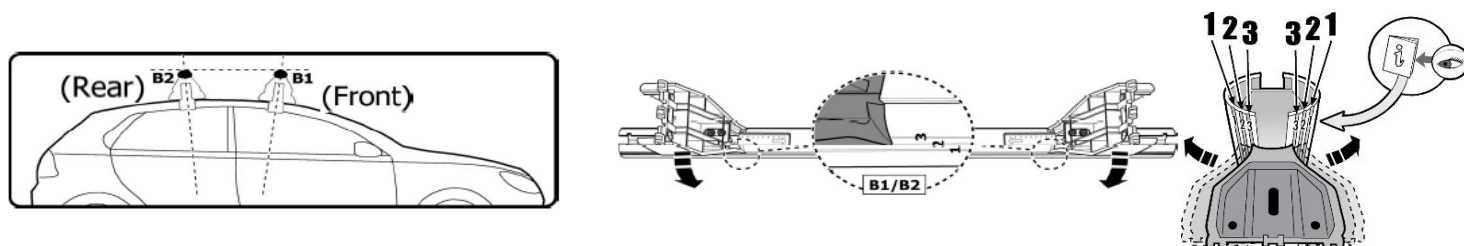


MANUFACTURER	MODEL CAR	DOORS	MODEL YEAR	D1	D2
INFINITY	Q70	4	13	8,5	6,8

**2**

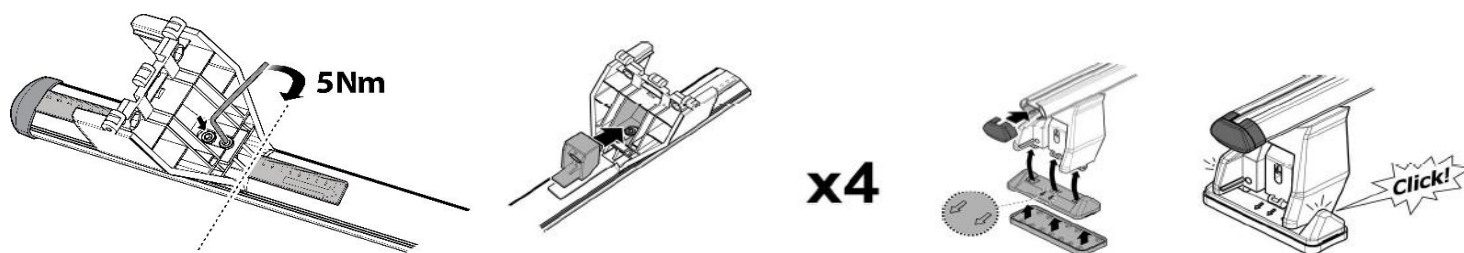


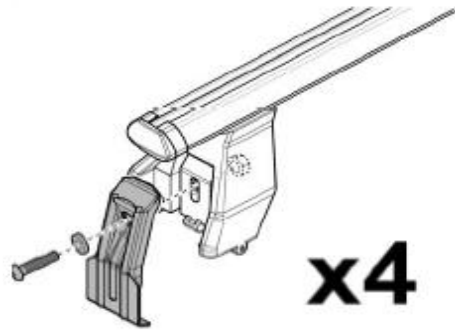
**3**



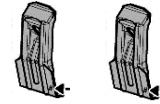
MANUFACTURER	MODEL CAR	DOORS	MODEL YEAR	B1	B2
INFINITY	Q70	4	13	2	2

**4**

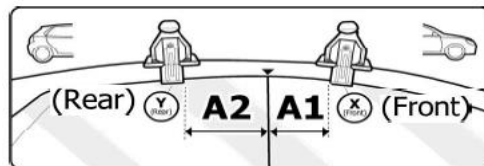
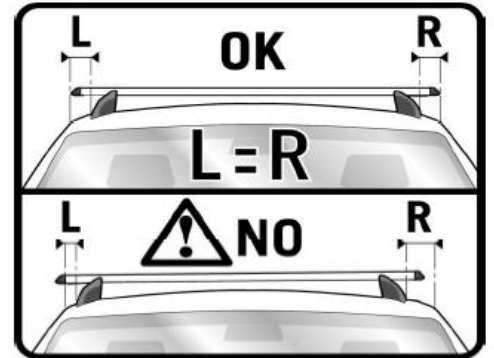
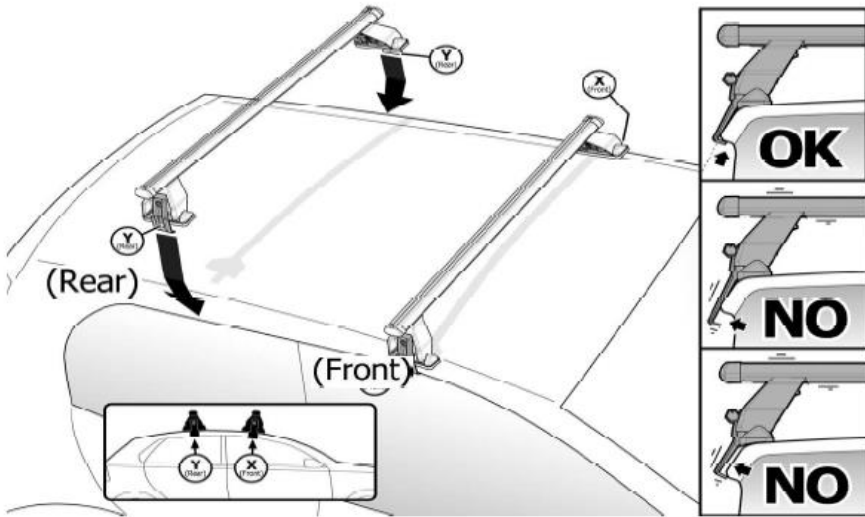




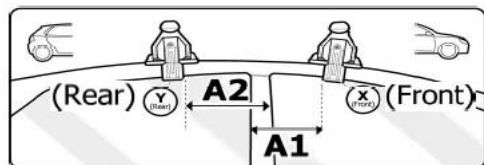
Front	Rear
X	Y



15	21R
2X	2X



OR



MANUFACTURER	MODEL CAR	DOORS	MODEL YEAR	A1	A2	A1	A2
				cm	cm	in	in
INFINITY	Q70	4	13	23	43	9,1	16,9

X = predisposizione originale /original arrangement