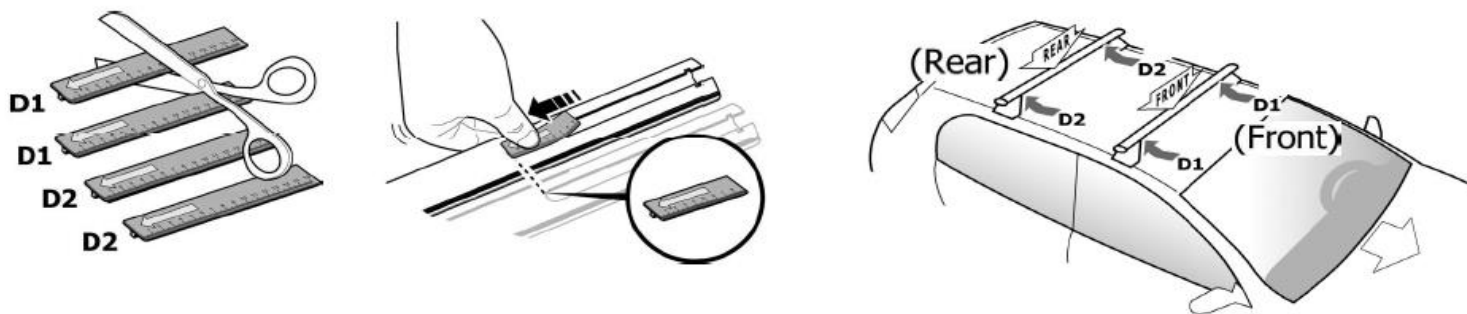
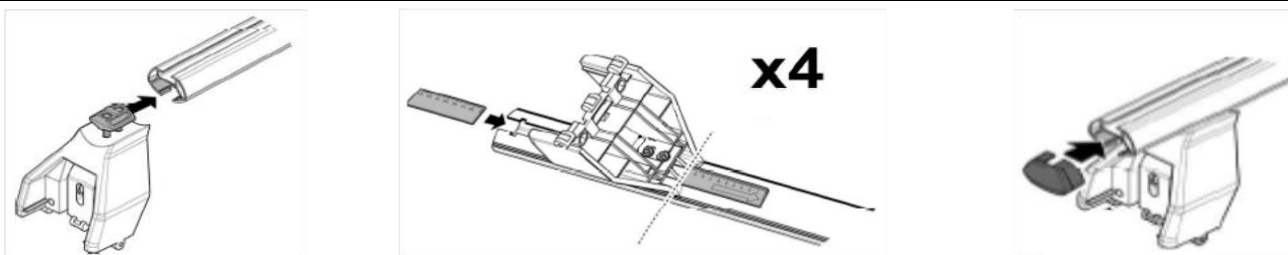


1

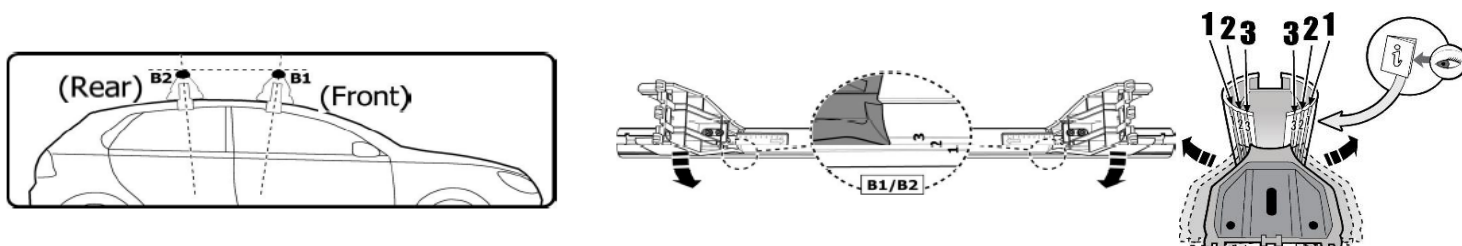


MANUFACTURER	MODEL CAR	DOORS	MODEL YEAR	D1	D2
HONDA	Civic X Sedan	4	16>21	6,3	9,5

2

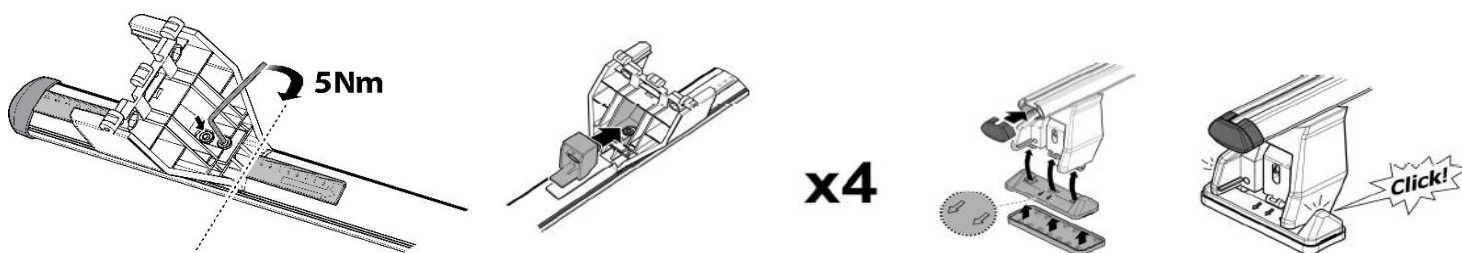


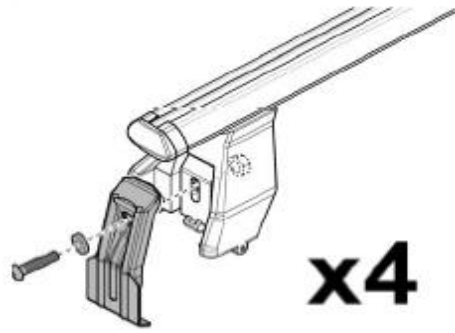
3



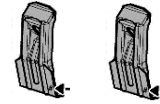
MANUFACTURER	MODEL CAR	DOORS	MODEL YEAR	B1	B2
HONDA	Civic X Sedan	4	16>21	1	2

4

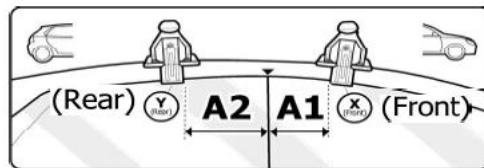
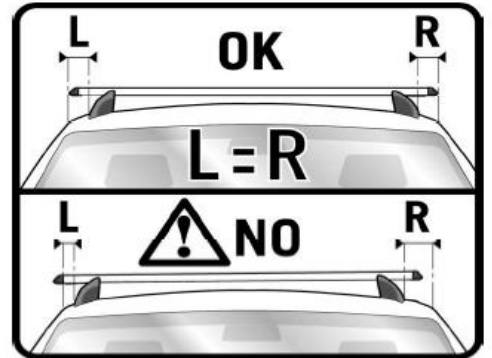
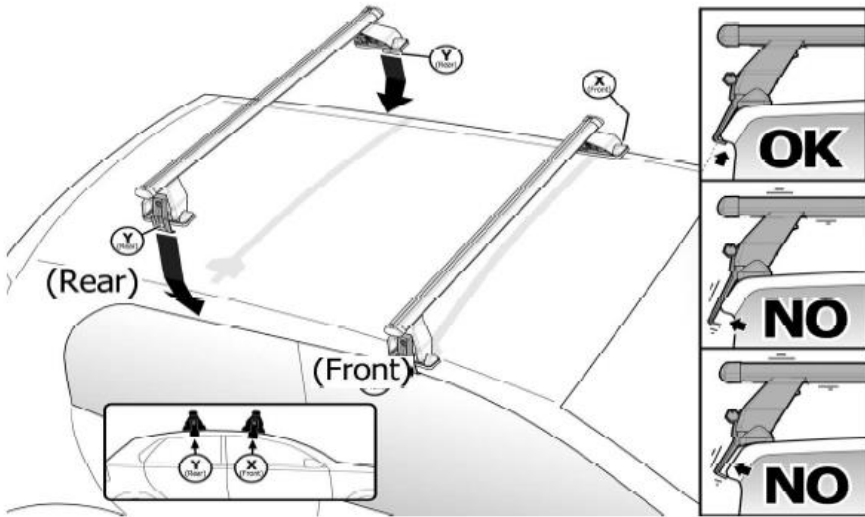




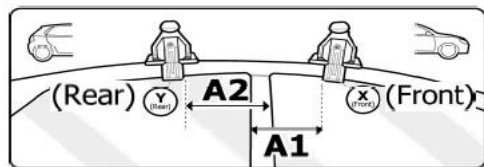
Front	Rear
X	Y



24	21R
2X	2X



OR



MANUFACTURER	MODEL CAR	DOORS	MODEL YEAR	A1 cm	A2 cm	A1 in	A2 in
HONDA	Civic X Sedan	4	16>21	30	39	11,8	15,4

X = predisposizione originale /original arrangement