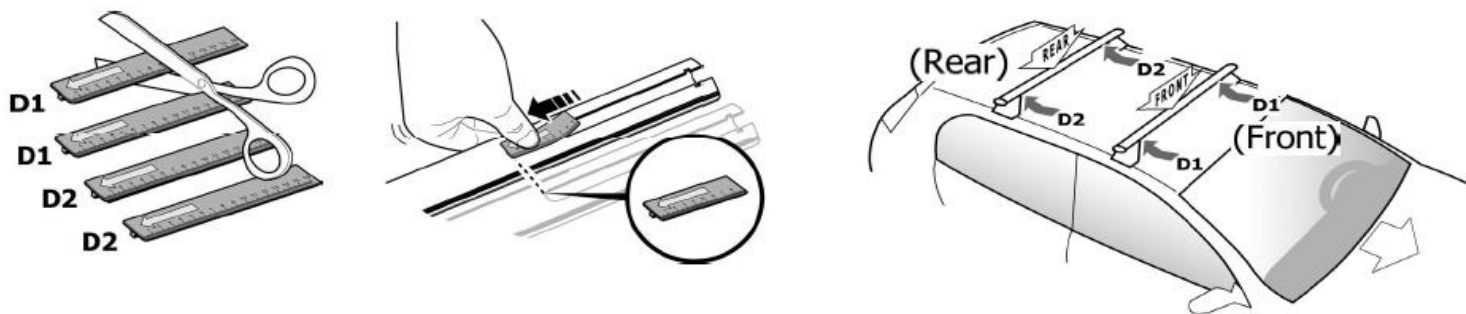
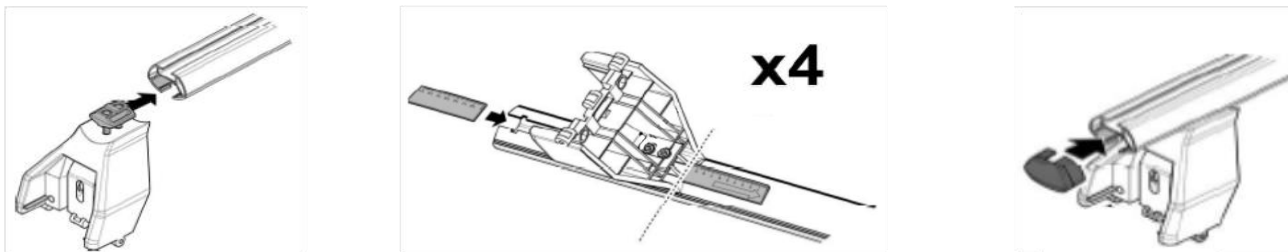


1

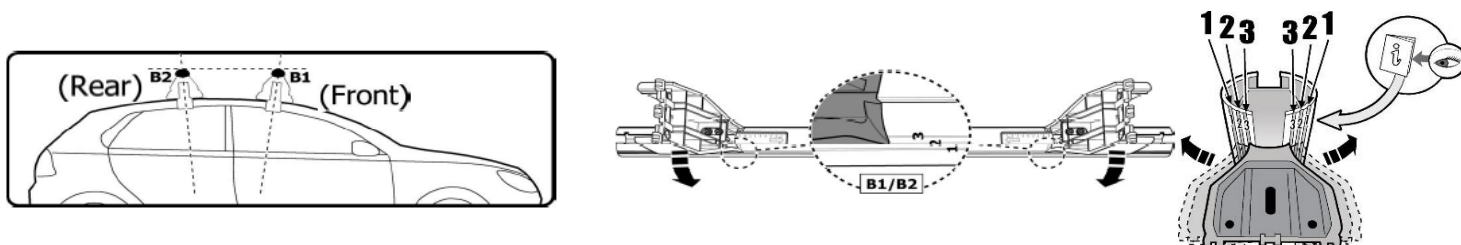


MANUFACTURER	MODEL CAR	DOORS	MODEL YEAR	D1	D2
MERCEDES	G (W464)	5	18>	13,3	12,9
SUZUKI	Jimny	3	18>	11,7	11,5

2

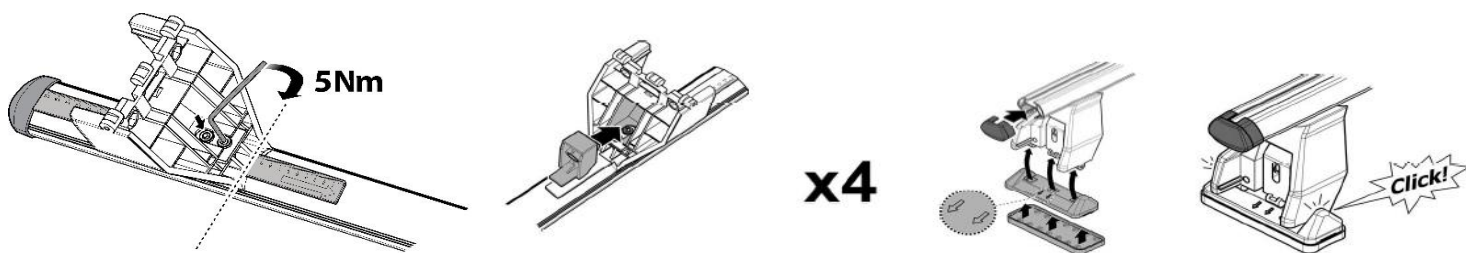


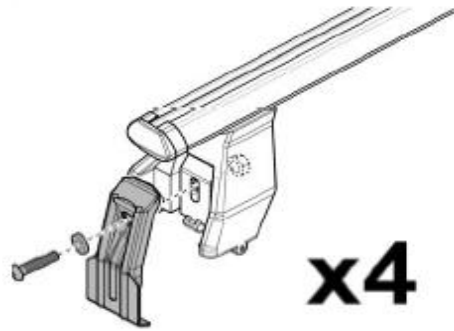
3



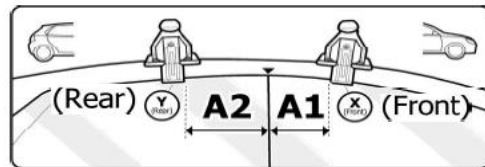
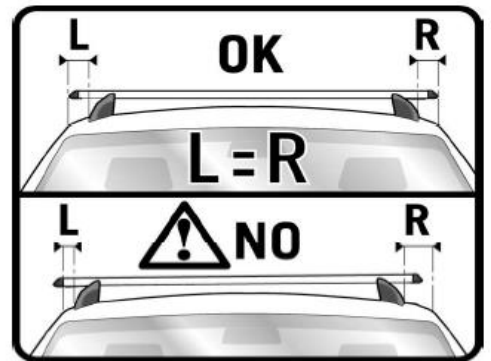
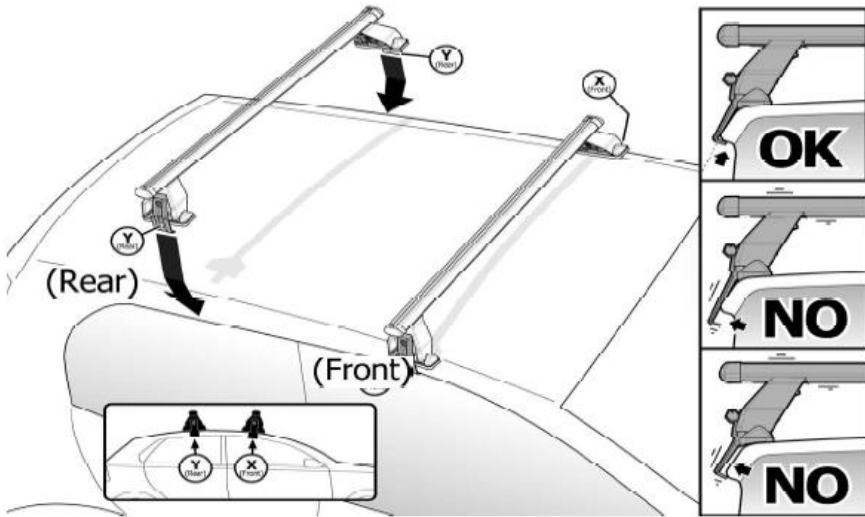
MANUFACTURER	MODEL CAR	DOORS	MODEL YEAR	B1	B2
MERCEDES	G (W464)	5	18>	2	2
SUZUKI	Jimny	3	18>	2	2

4

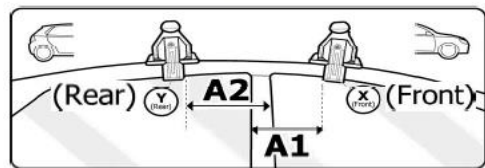




Front X	Rear Y
12 2X	12 2X



OR



MANUFACTURER	MODEL CAR	DOORS	MODEL YEAR	A1 cm	A2 cm	A1 in	A2 in
MERCEDES	G (W464)	5	18>	10	59	3,9	23,2
SUZUKI	Jimny	3	18>	27	39	10,6	15,4

X = predisposizione originale /original arrangement