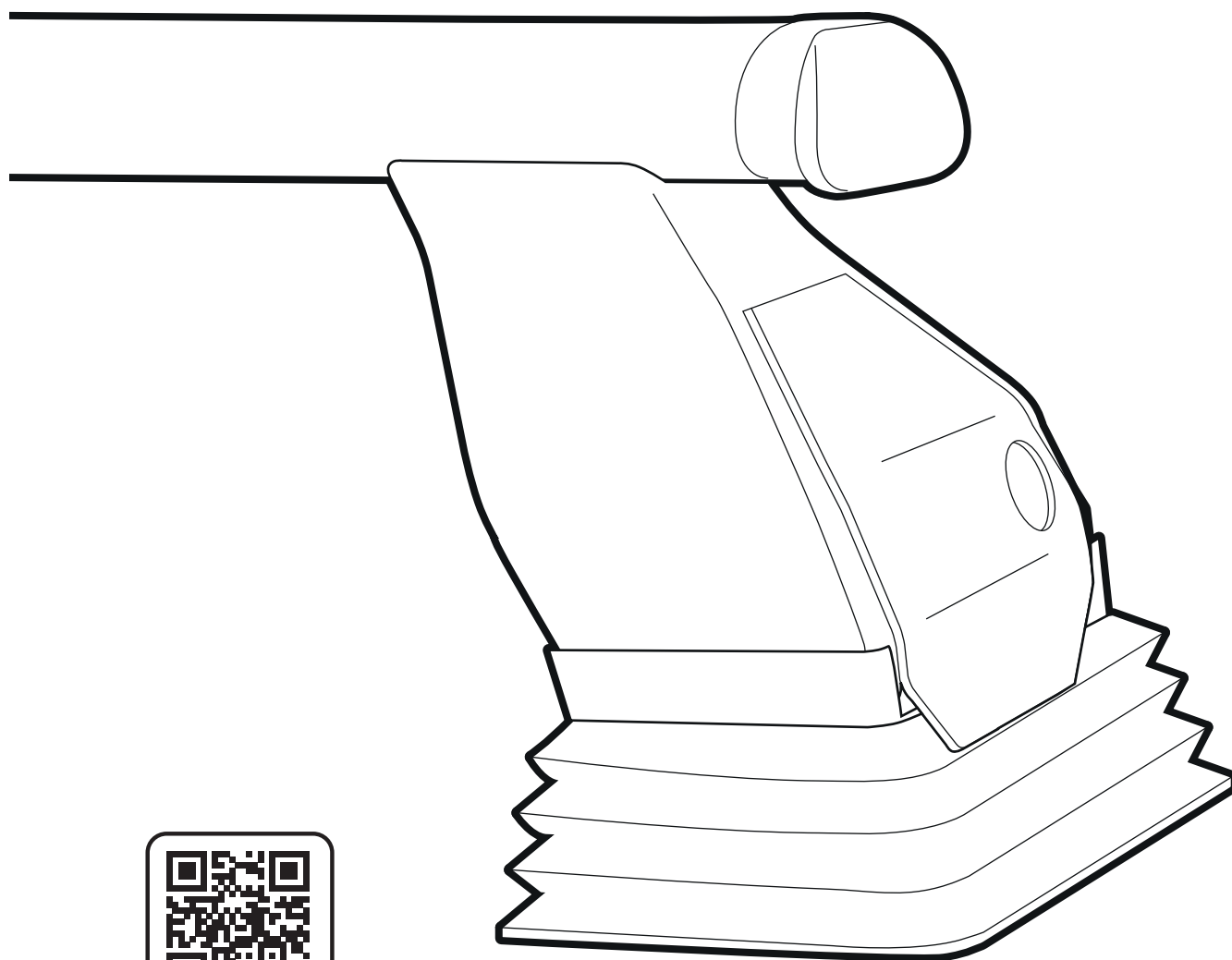


FIX 501 FP FIXGAN 16 FP

IT	Istruzioni di montaggio	ET	Paigaldusjuhend	PT	Instruções de Montagem
EN	Fitting instructions	FI	Asennusohje	RO	Instrucțiuni de montare
DE	Montageanleitung	HR	Uputa za sastavljanje	RU	Инструкции по установке
FR	Instructions de montage	HU	A felszerelés módja	SK	Návod na montáž
ES	Instrucciones de montaje	LT	Pritvirtinimo instrukcijos	SL	Navodila za pritrjevanje
BG	инструкции за сглобяване	LV	Stiprināšanas instrukcija	SV	Monteringsanvisning
CS	Návod na montáž	NL	Instrukcja montażu	TK	Uydurma talimat
DA	Monteringsvejledning	NO	Monteringsveiledning	ZH	裝修指導
EL	Οδηγίες συναρμολόγησης	PL	Instrukcja montażu	AR	تعليمات التجميع



Made in Italy



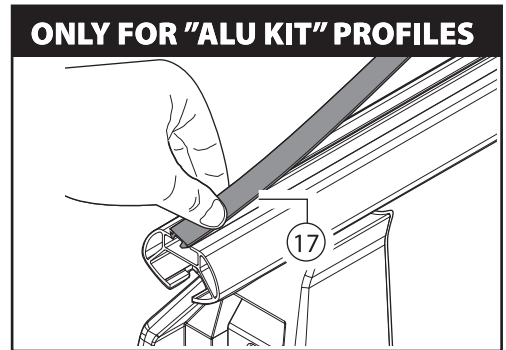
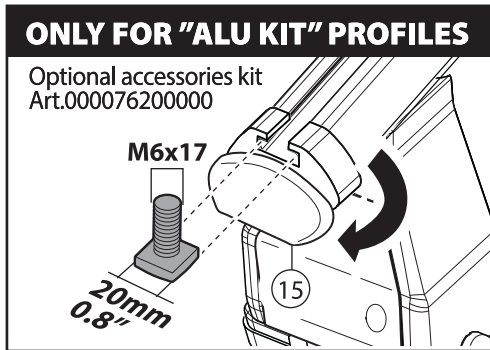
FIXING KIT		
N.	[IT]Componenti (Inclusi) [EN]Components (Included) [FR]Composants (Comprises) [DE]Die Komponenten (im Lieferumfang enthalten) [ES]Componentes (Incluido)	Q.
0		1
1		4
2		4
3	A	8
	B	8
4		4
5		4
6		12
7		8
8		12
		8
		12
		4
		8
		4

BAR KIT		
N.	[IT]Componenti (Inclusi) [EN]Components (Included) [FR]Composants (Comprises) [DE]Die Komponenten (im Lieferumfang enthalten) [ES]Componentes (Incluido)	Q.
14		2
15		4
16		4

ALUMINIUM BAR KIT		
N.	[IT]Componenti (Inclusi) [EN]Components (Included) [FR]Composants (Comprises) [DE]Die Komponenten (im Lieferumfang enthalten) [ES]Componentes (Incluido)	Q.
14		2
15		4
16		4
17		2

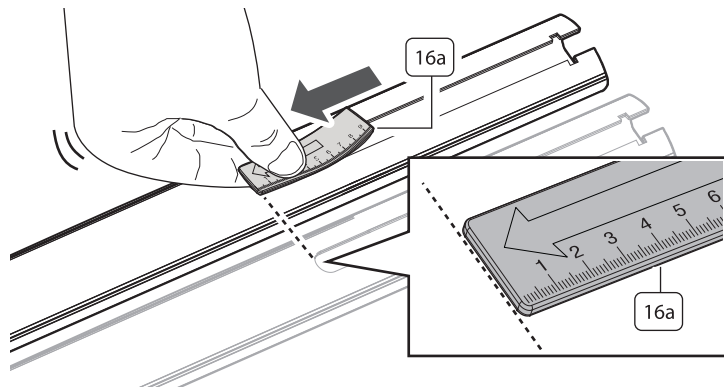
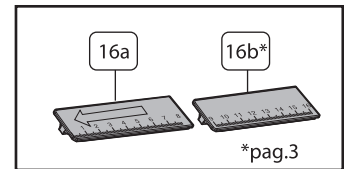
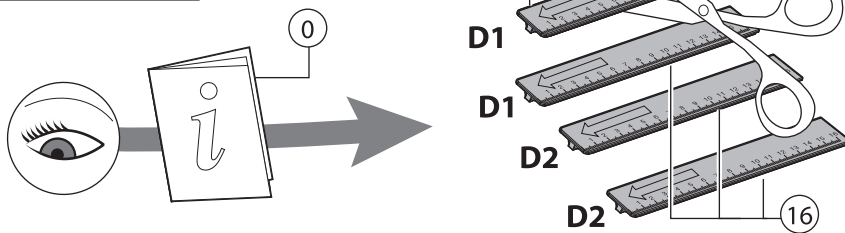
SUPPORT KIT		
N.	[IT]Componenti (Inclusi) [EN]Components (Included) [FR]Composants (Comprises) [DE]Die Komponenten (im Lieferumfang enthalten) [ES]Componentes (Incluido)	Q.
9		4
10		4
11		4
12		4
13		1

OPTIONAL KIT 000032900000		
N.		Q.
18		4
19		4



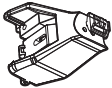
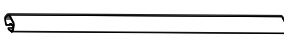
1=D

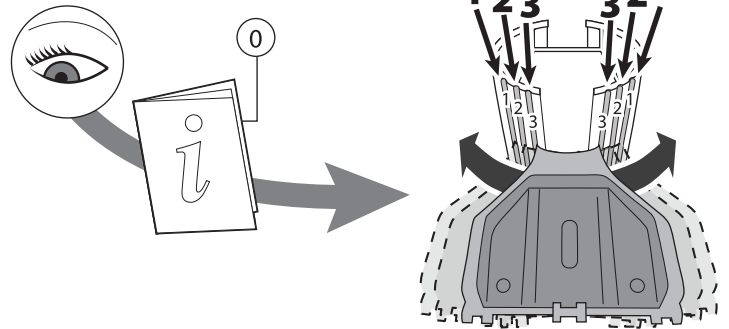
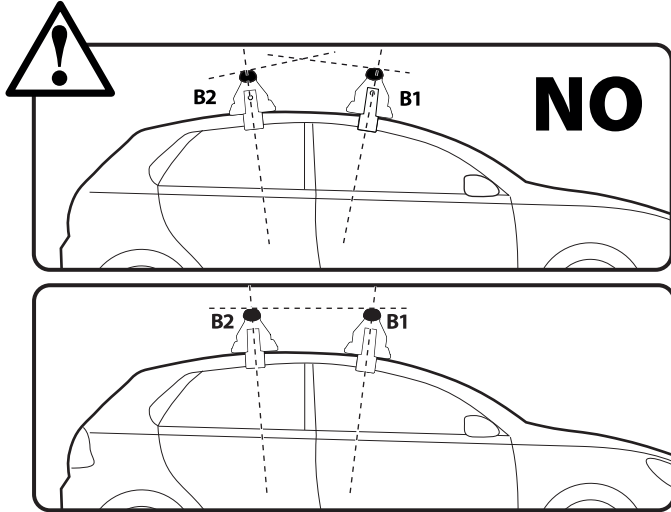
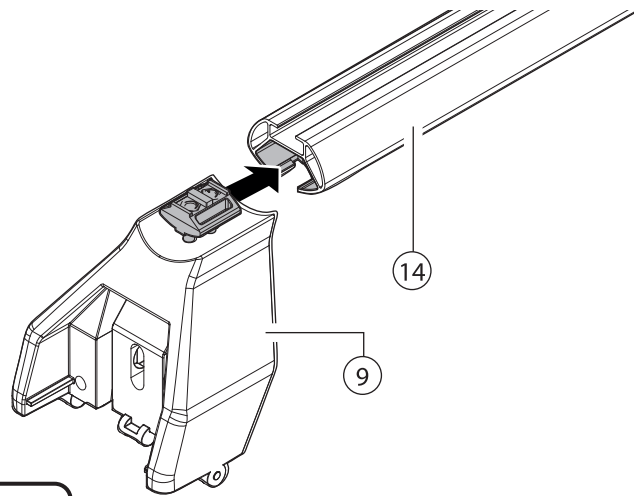
N.		Q.
16		4



2=B

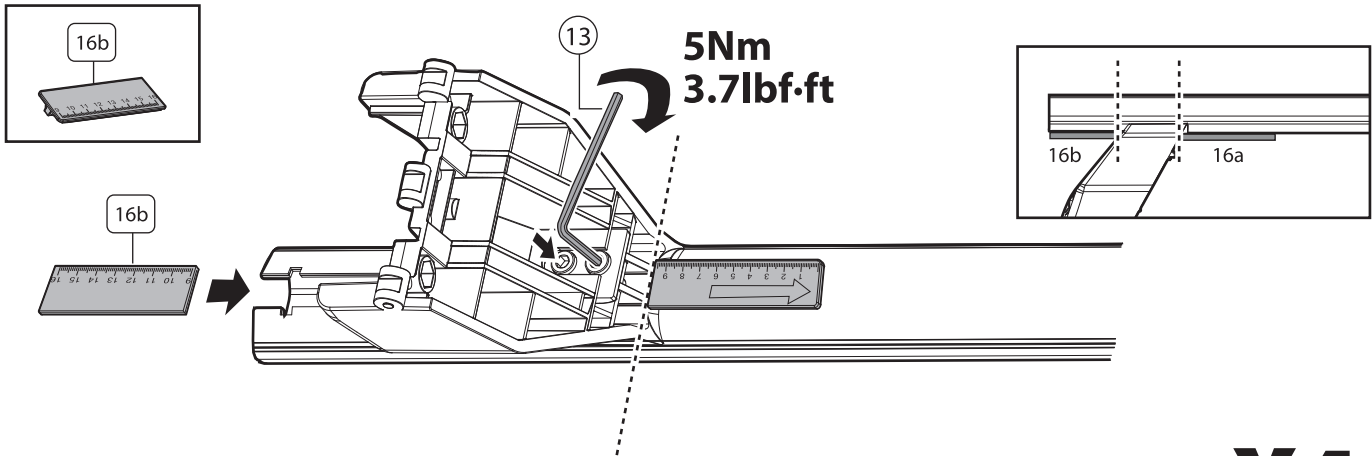
X4-

N.		Q.
9		1
14		1





3

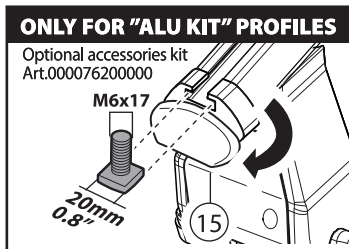
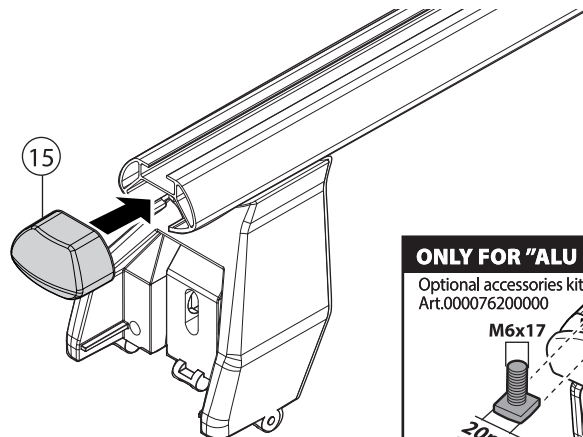
X4-




4

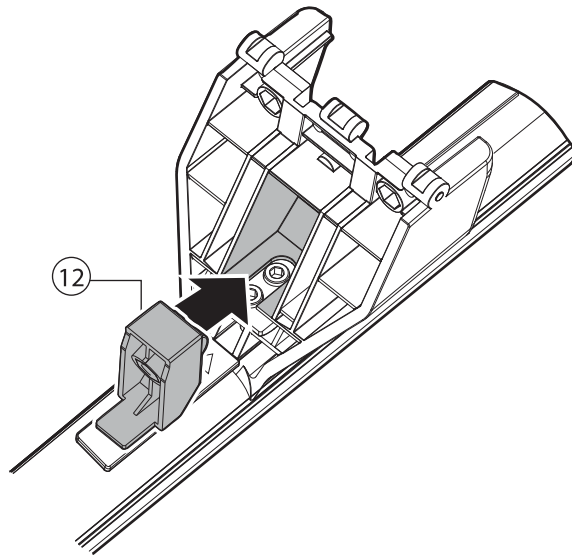
X4-

N.		Q.
15		1
17	 ONLY FOR "ALU KIT" PROFILES	1

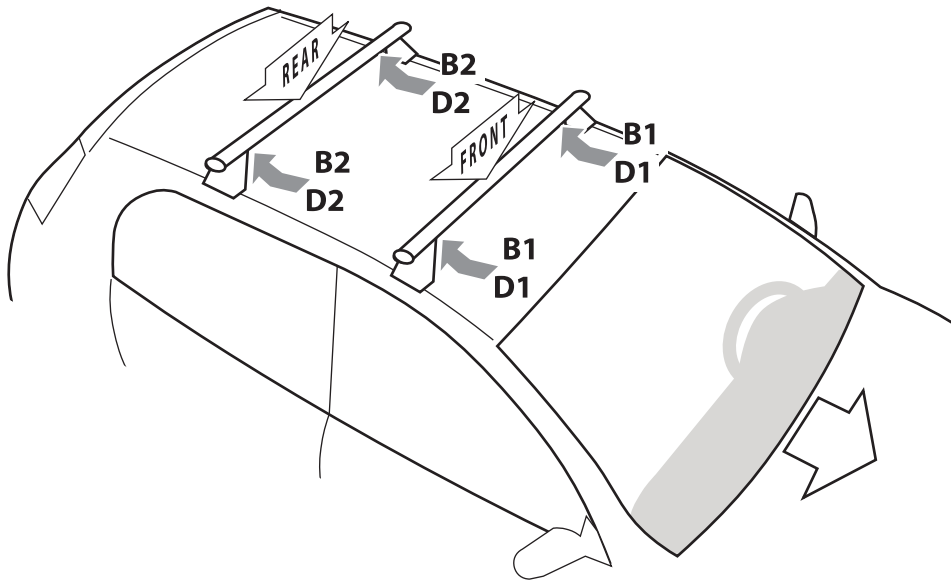


5

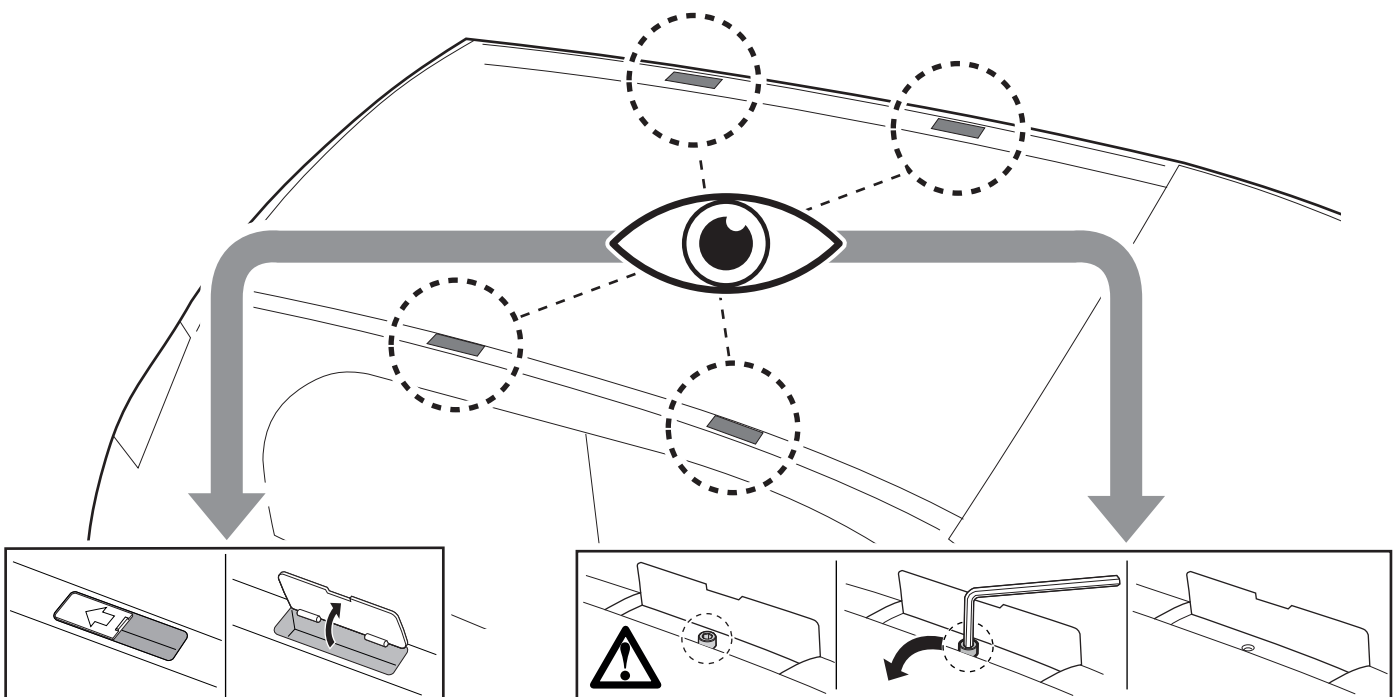
N.		Q.
12		1

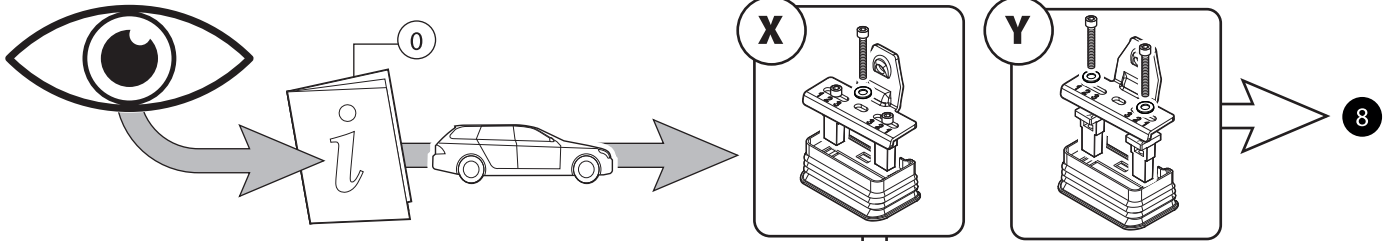


6

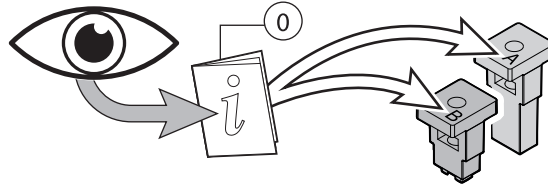


7

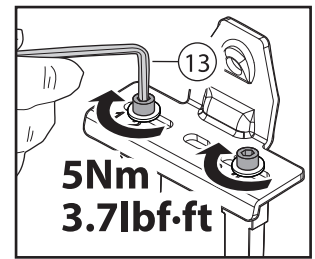
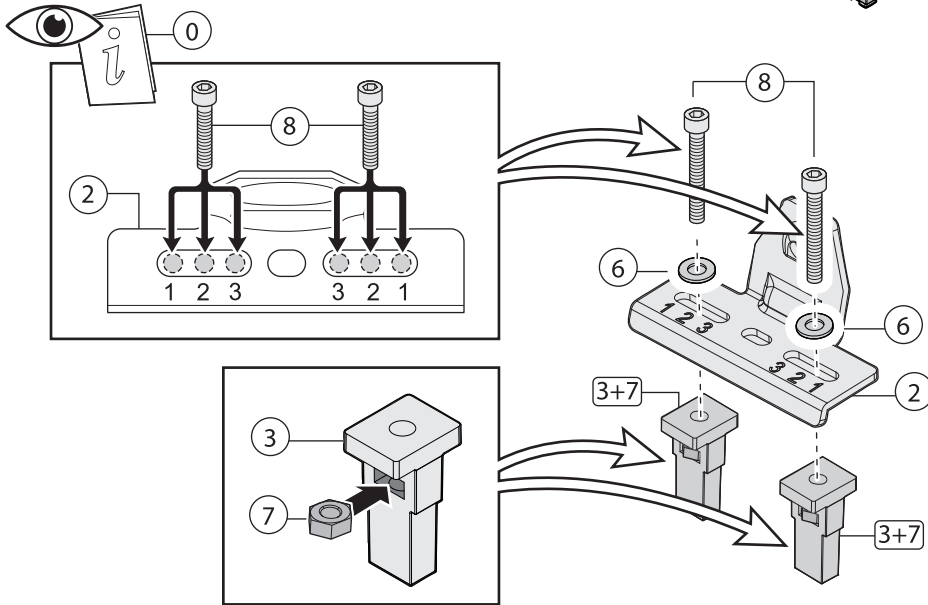




X **X4-**



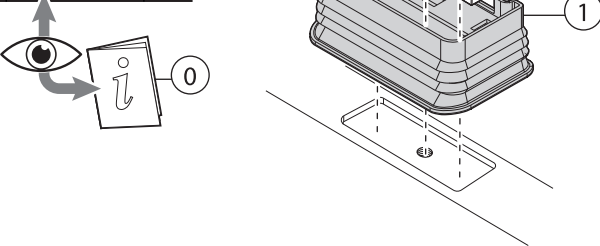
N.		Q.
2		1
3	A	2
8		2
3	B	2
8		2
6		2
7		2
13		1



8 **X4-**

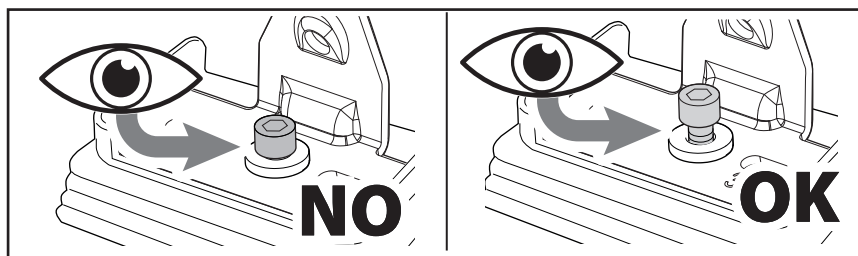
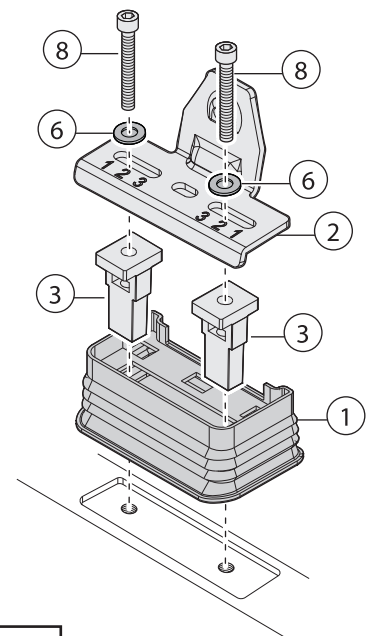
X

N.		Q.
1		1
6		1
8		1





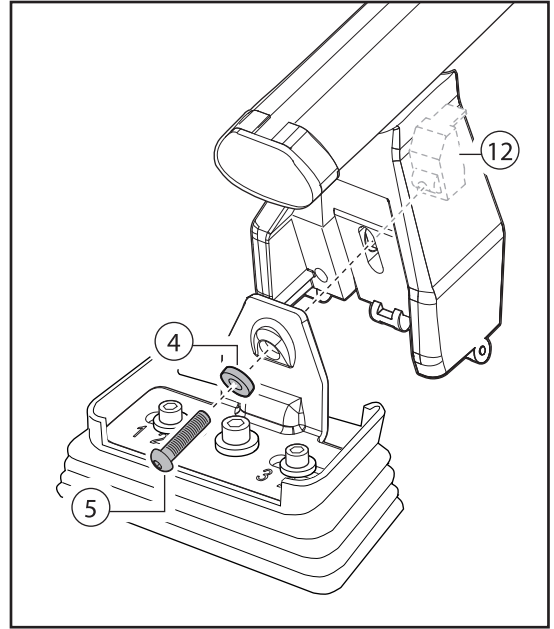
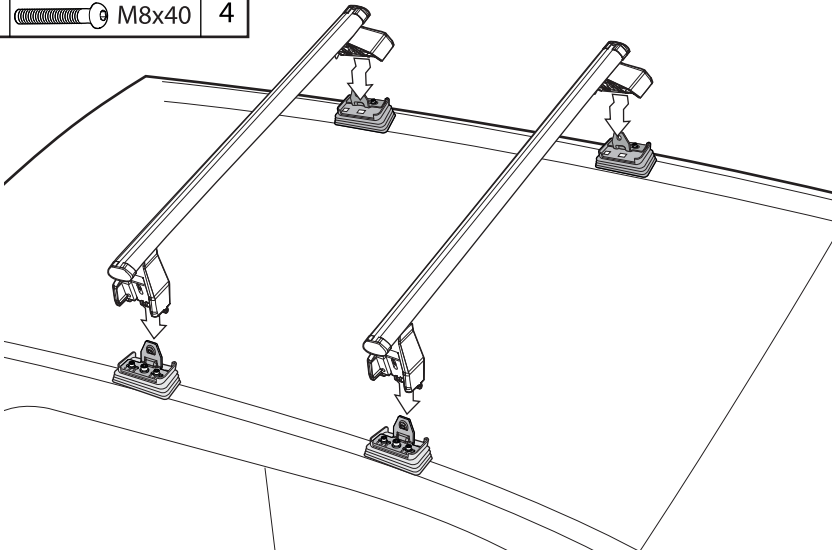
Y

N.		Q.
1		1
2		1
6		2
8		2
3	A	2
	B	2

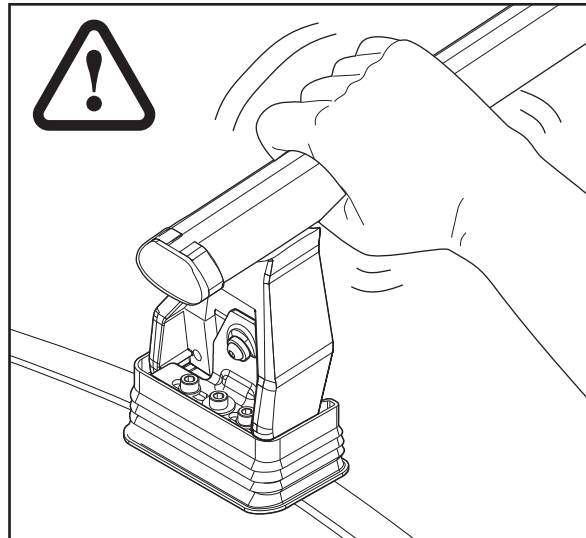
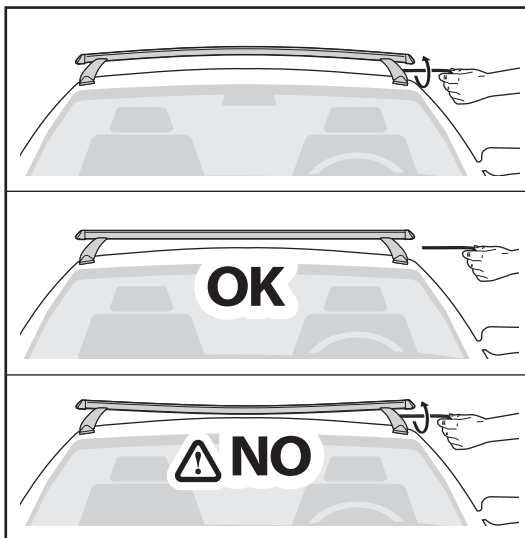
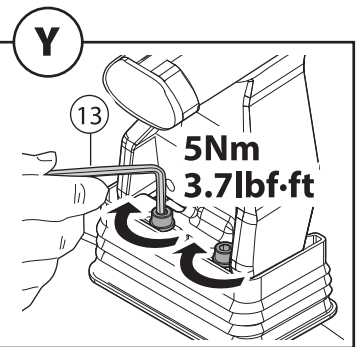
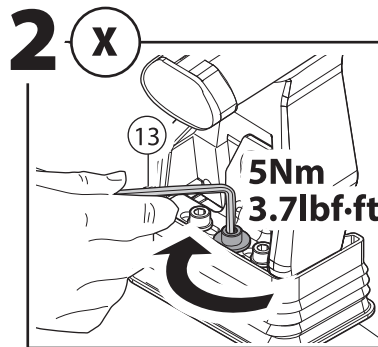
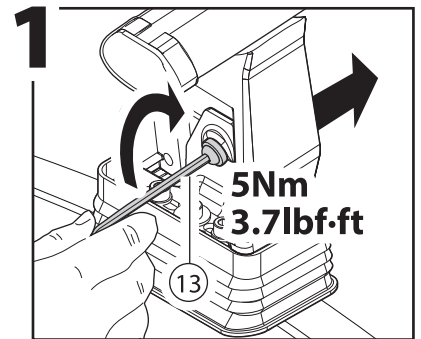
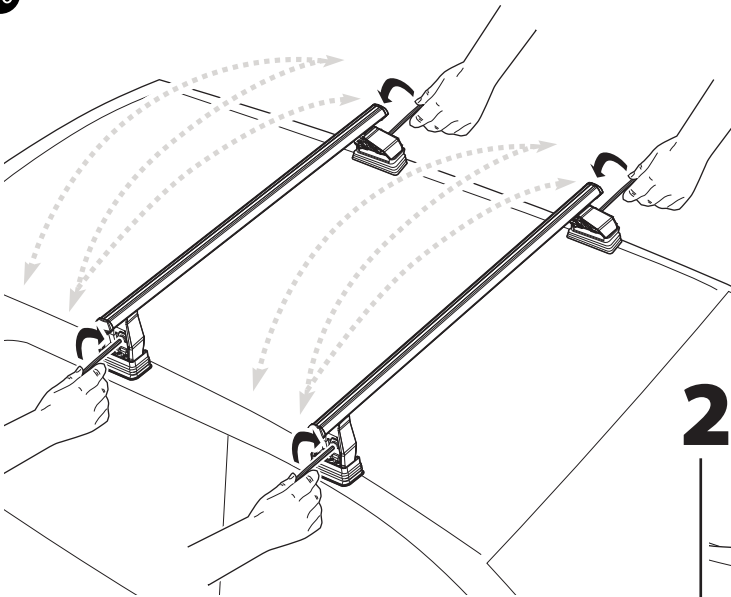


9

N.		Q.
4	 Ø8x18	4
5	 M8x40	4



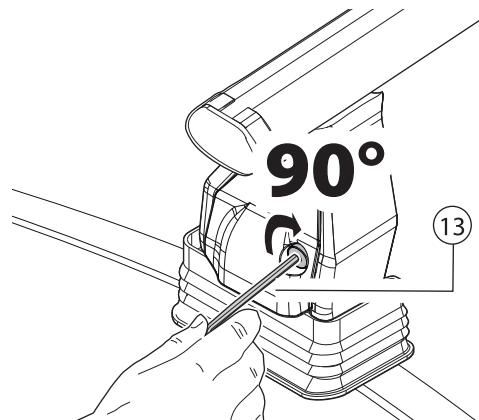
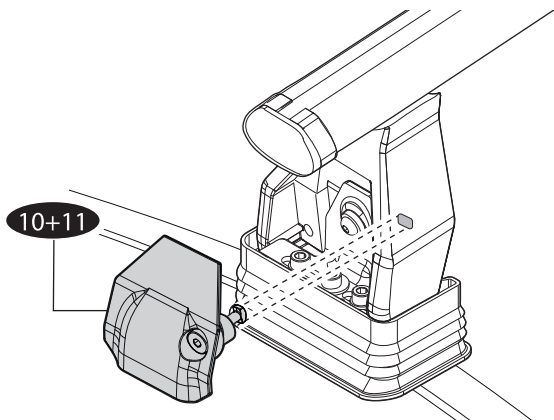
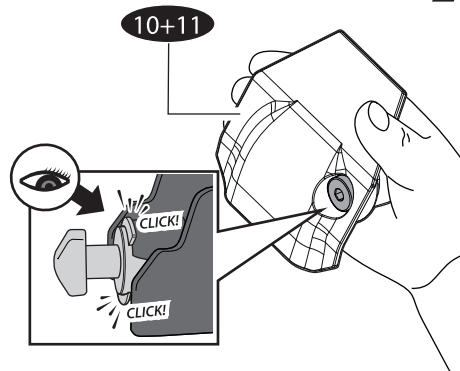
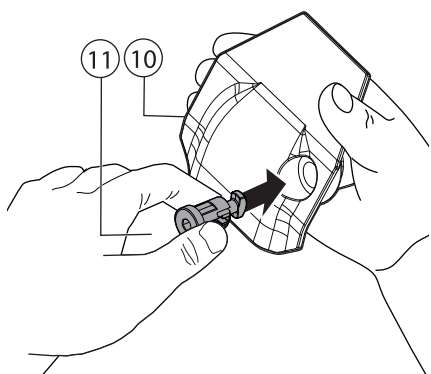
10



11

X4

N.		Q.
10		1
11		1

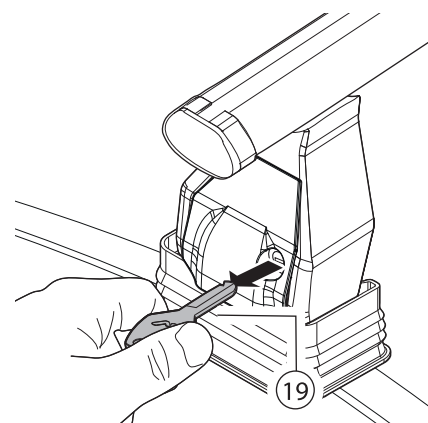
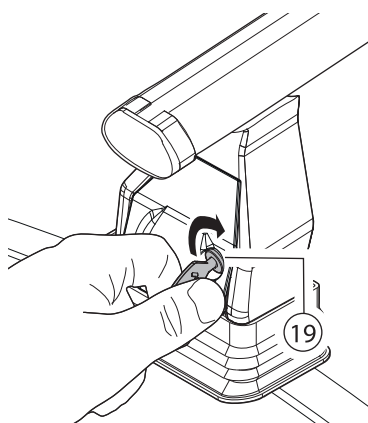
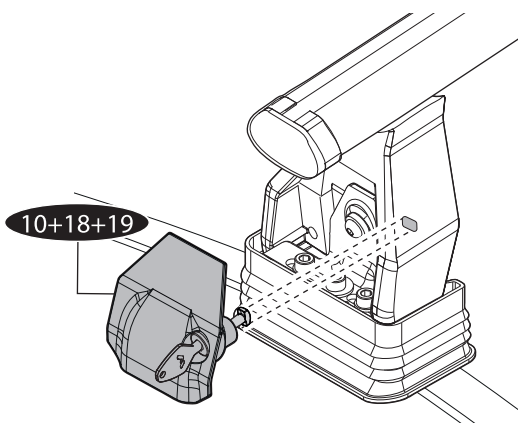
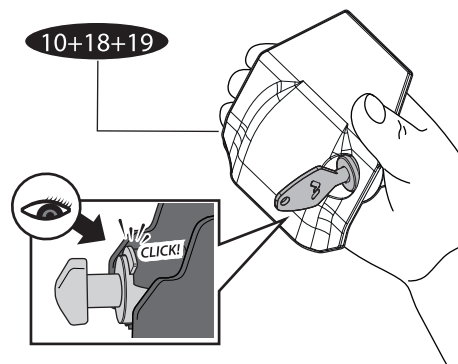
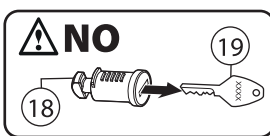
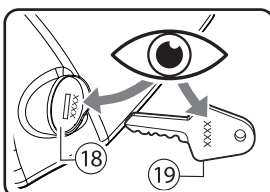
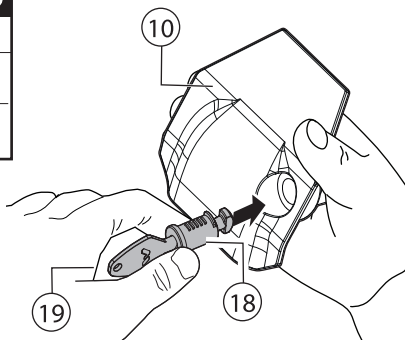


11 — OPTIONAL

X4

KIT 00003290000

N.		Q.
18		1
19		1

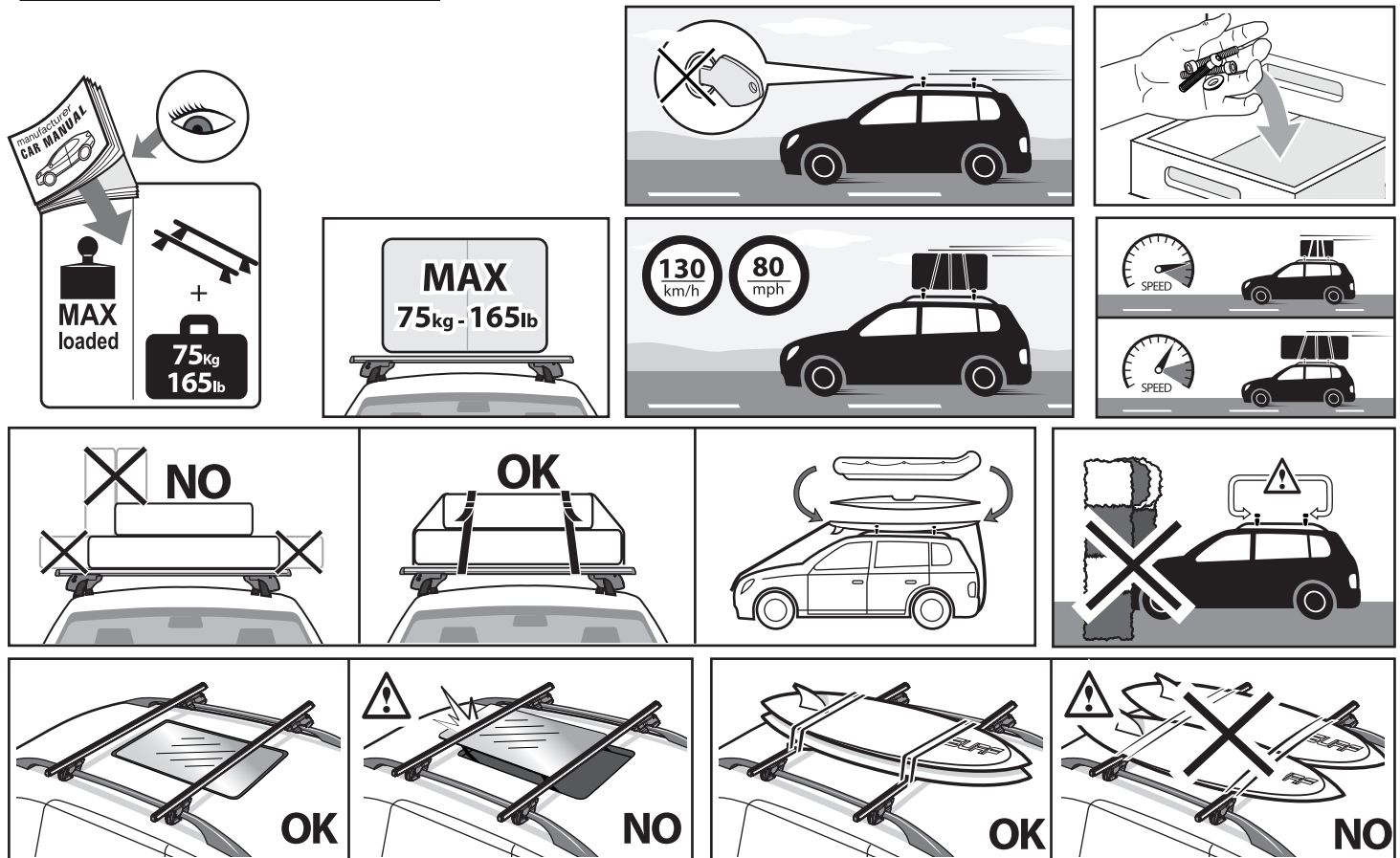


FIXING KIT			
N.	[IT] Ricambi (A Richiesta) [EN] Spare Parts (Made to order) [FR] Pièces de rechange (Sur commande) [DE] Teile (auf Anfrage) [ES] Piezas de recambio (Previa solicitud)	Q.	Codice-Code-Código
1		1	700009300000
2		1	700009700000
3	A	8	700009400000
	B	8	
4	Ø8x18	4	700009500000
5	M8x40	4	
6	Ø6x12	12	700009600000
7	M6	8	
8	M6x35	12	
	M6x40	8	
	M6x45	12	
	M6x50	4	
	M7x40	8	
	M8x50	4	

SUPPORT KIT			
N.	[IT] Ricambi (A Richiesta) [EN] Spare Parts (Made to order) [FR] Pièces de rechange (Sur commande) [DE] Teile (auf Anfrage) [ES] Piezas de recambio (Previa solicitud)	Q.	Codice-Code-Código
9		1	700008700000
10		1	
11		1	
12		1	700008800000
10		4	
11		4	
12		4	700008900000
13	5mm/0.2"	1	700025000000

BAR KIT			
N.	[IT] Ricambi (A Richiesta) [EN] Spare Parts (Made to order) [FR] Pièces de rechange (Sur commande) [DE] Teile (auf Anfrage) [ES] Piezas de recambio (Previa solicitud)	Q.	Codice-Code-Código
15		4	700009000000
16		4	700009100000

ALUMINIUM BAR KIT			
N.	[IT] Ricambi (A Richiesta) [EN] Spare Parts (Made to order) [FR] Pièces de rechange (Sur commande) [DE] Teile (auf Anfrage) [ES] Piezas de recambio (Previa solicitud)	Q.	Codice-Code-Código
15		4	700009200000
16		4	700009100000
17		2	700007900000



F.lli Menabò S.r.l.
Via 8 Marzo, 3 -Z.I. Corte Tegge
42025 Cavriago (RE) ITALY
customercare@fli-menabo.it
www.menabocaraccessories.com

Product registration

IT) eu.menabocaraccessories.com/ita/product-support-ita
EN) eu.menabocaraccessories.com/eng/product-support-eng
DE) eu.menabocaraccessories.com/deu/product-support-deu
FR) eu.menabocaraccessories.com/fra/product-support-fra
ES) eu.menabocaraccessories.com/esp/product-support-esp

Cod.Istr.	100114800002
Data	21/04/2021

www.menabocaraccessories.com

Name

Surname

Email

Telephone

Serial number

Product name