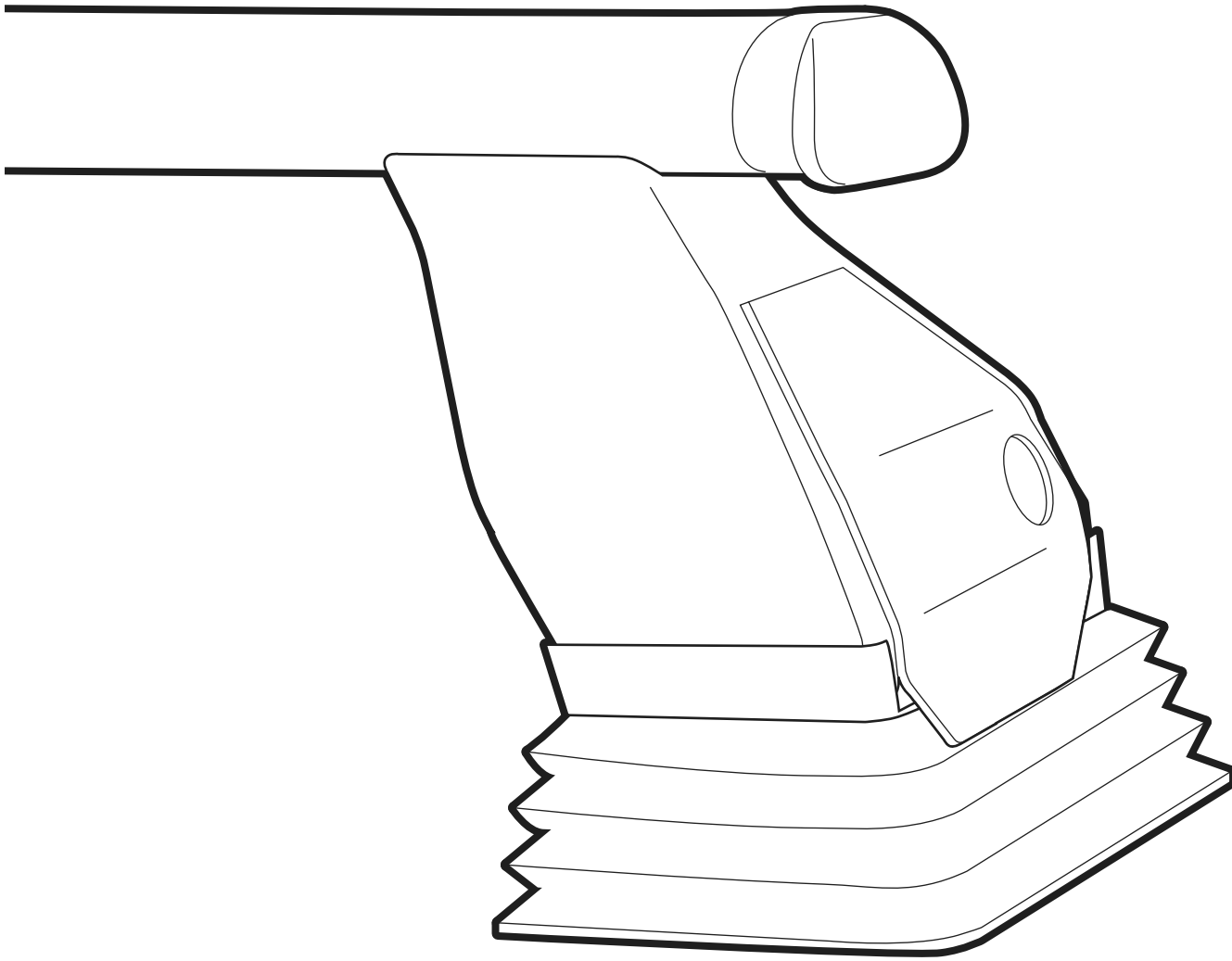


# FIX 504 FP

## FIXGAN 56 FP

IT Istruzioni di montaggio	ET Paigaldusjuhend	PT Instruções de Montagem
EN Fitting instructions	FI Asennusohje	RO Instrucțiuni de montare
DE Montageanleitung	HR Uputa za sastavljanje	RU Инструкции по установке
FR Instructions de montage	HU A felszerelés módja	SK Návod na montáž
ES Instrucciones de montaje	LT Pritvirtinimo instrukcijos	SL Navodila za pritrjevanje
BG инструкции за сглобяване	LV Stiprināšanas instrukcija	SV Monteringsanvisning
CS Návod na montáž	NL Instrukcja montażu	TK Uydurma talimat
DA Monteringsvejledning	NO Monteringsveiledning	ZH 裝修指導
EL Οδηγίες συναρμολόγησης	PL Instrukcja montażu	AR تعليمات التجميع



## FIXING KIT

N.	[IT]Componenti (Inclusi) [EN]Components (Included) [FR]Composants (Comprises) [DE]Die Komponenten (im Lieferumfang enthalten) [ES]Componentes (Incluido)	Q.
0		1
1		4
2		4
3	A	8
	B	8
4		4
5		4
6		8
7		8
8		8
9		8
		8
10		4
		4
11		1

## BAR KIT

N.	[IT]Componenti (Inclusi) [EN]Components (Included) [FR]Composants (Comprises) [DE]Die Komponenten (im Lieferumfang enthalten) [ES]Componentes (Incluido)	Q.
12		2
13		4
14		4

## ALUMINIUM BAR KIT

N.	[IT]Componenti (Inclusi) [EN]Components (Included) [FR]Composants (Comprises) [DE]Die Komponenten (im Lieferumfang enthalten) [ES]Componentes (Incluido)	Q.
20		2
21		4
22		4
23		2

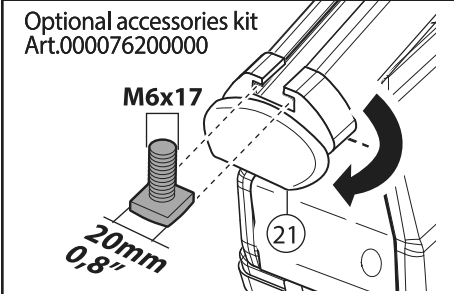
## SUPPORT KIT

N.	[IT]Componenti (Inclusi) [EN]Components (Included) [FR]Composants (Comprises) [DE]Die Komponenten (im Lieferumfang enthalten) [ES]Componentes (Incluido)	Q.
15		4
16		4
17		4
18		4
19		1

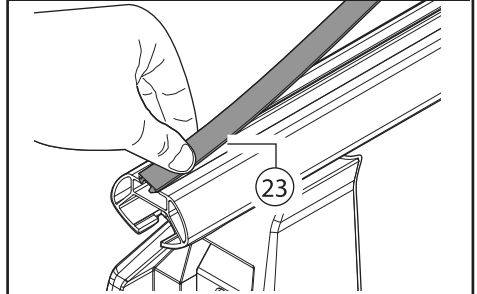
## OPTIONAL KIT 000032900000

N.		Q.
24		4
25		4

## ONLY FOR "ALU KIT" PROFILES

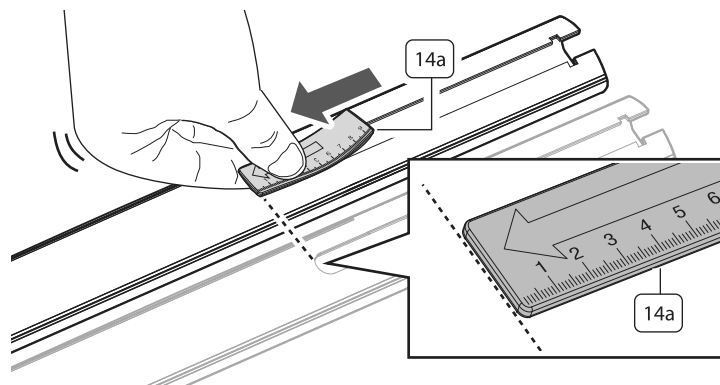
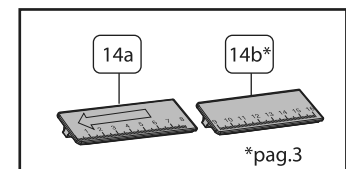
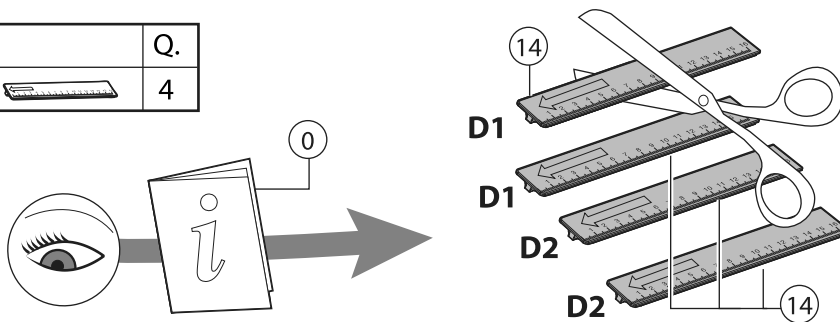


## ONLY FOR "ALU KIT" PROFILES



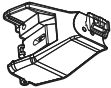
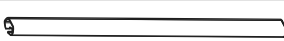
1=D

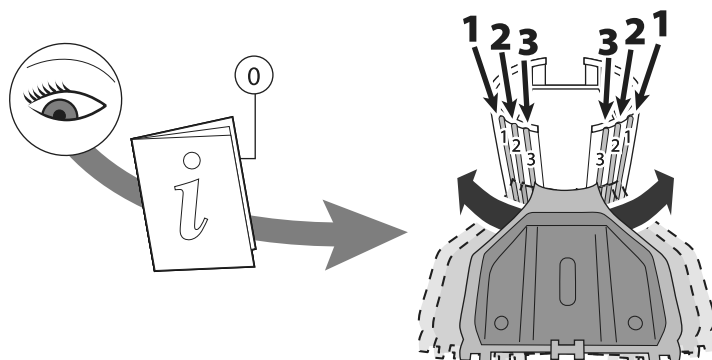
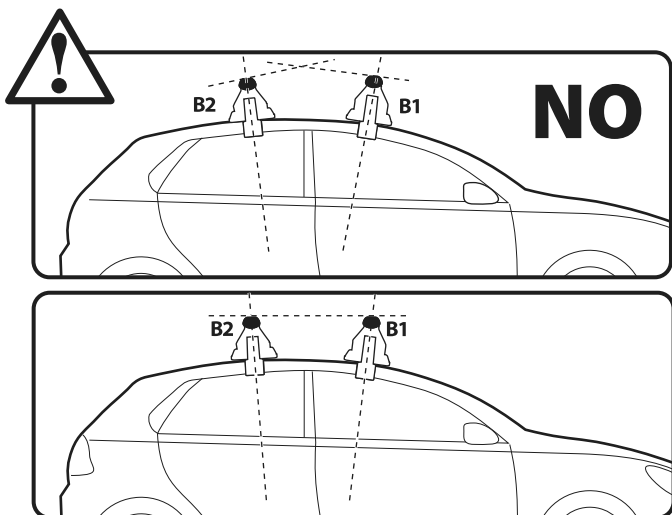
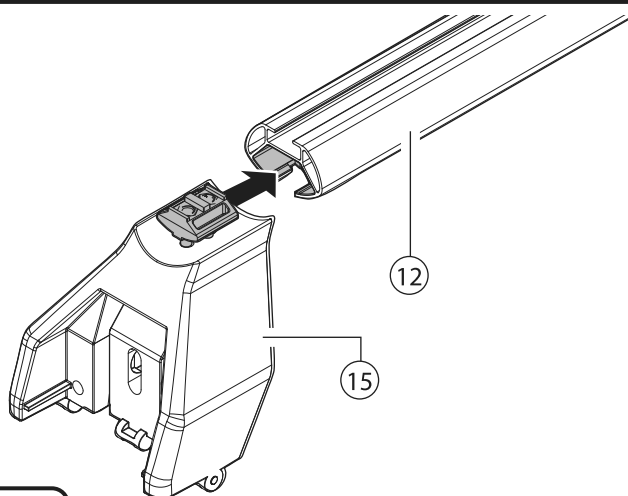
N.		Q.
14		4



2=B

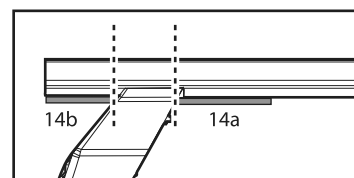
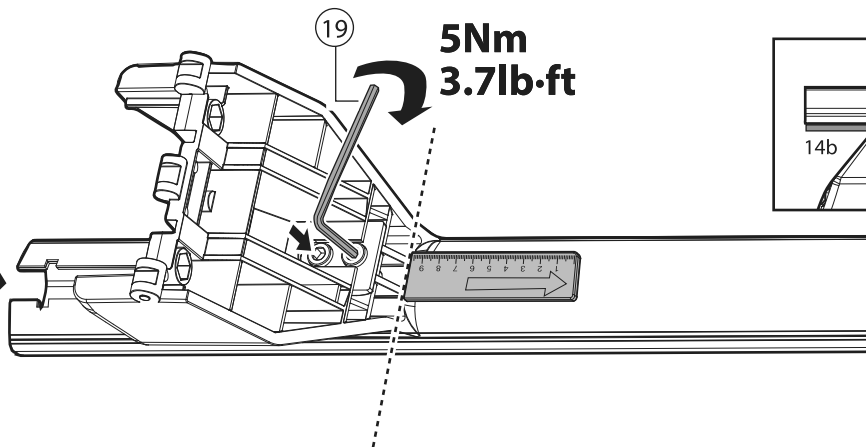
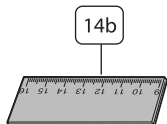
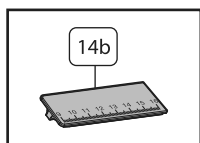
X4-

N.		Q.
15		1
12		1





3

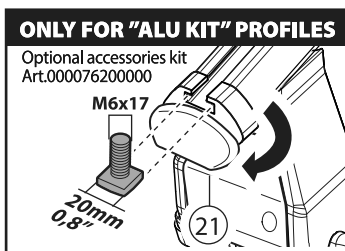
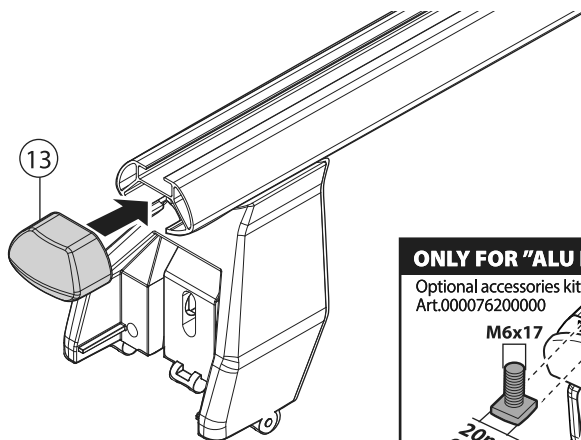
X4-



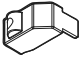
4

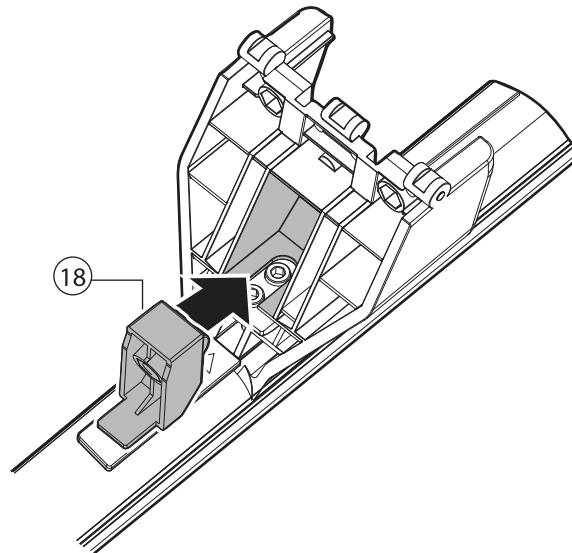
X4-

N.		Q.
13		1
23	 ONLY FOR "ALU KIT" PROFILES	1

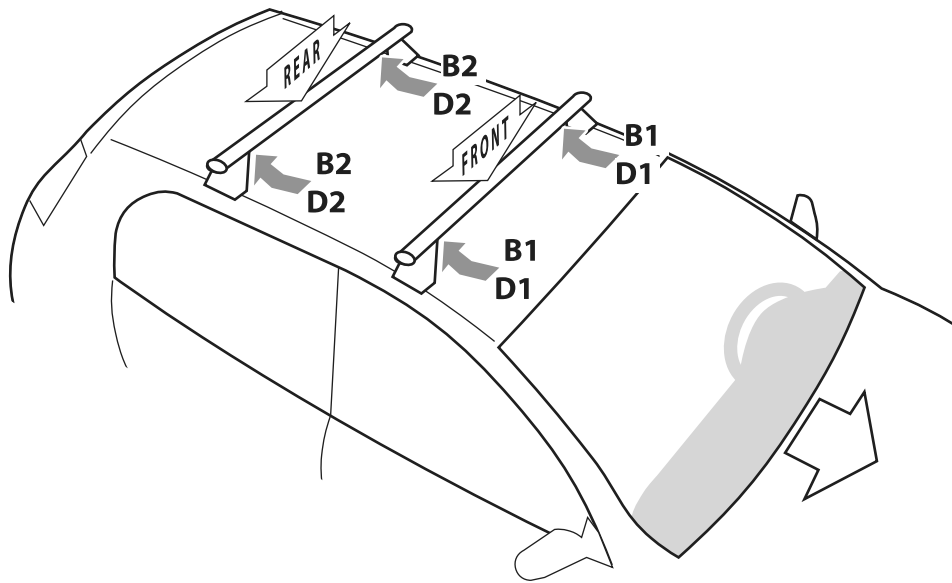


5

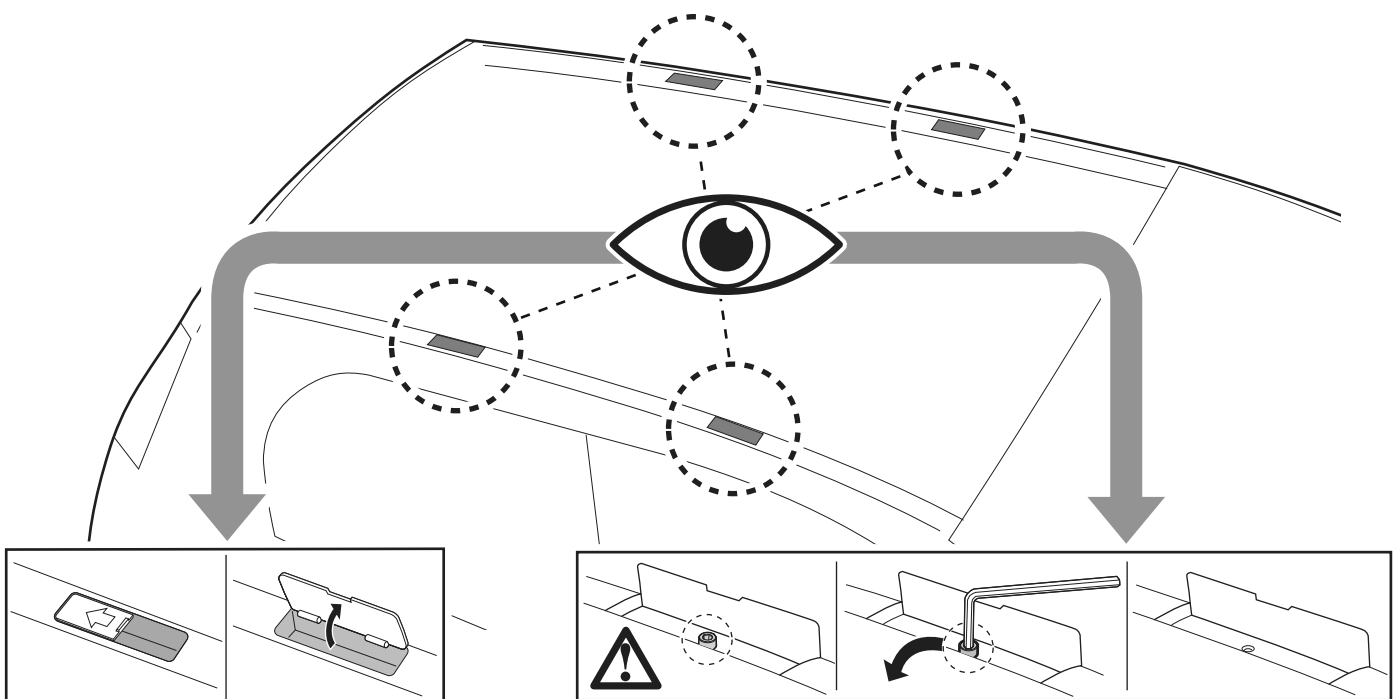
N.		Q.
18		1

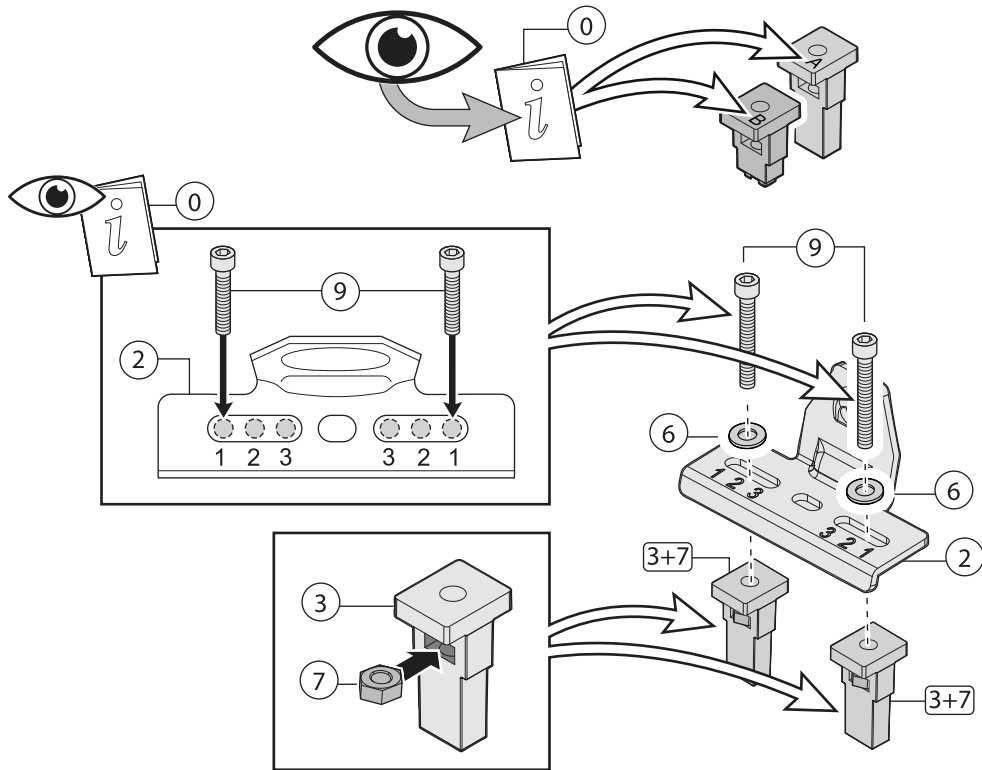


6

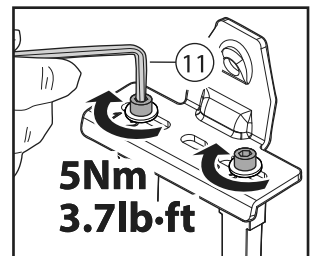


7

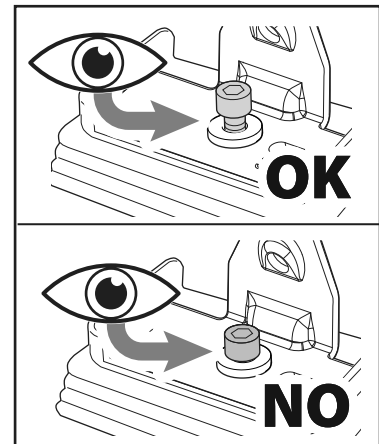
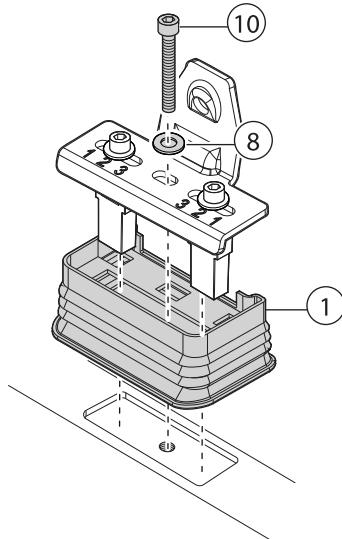
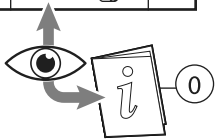




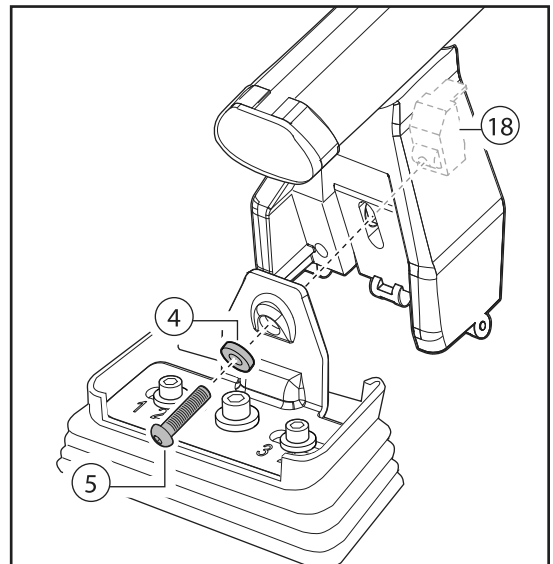
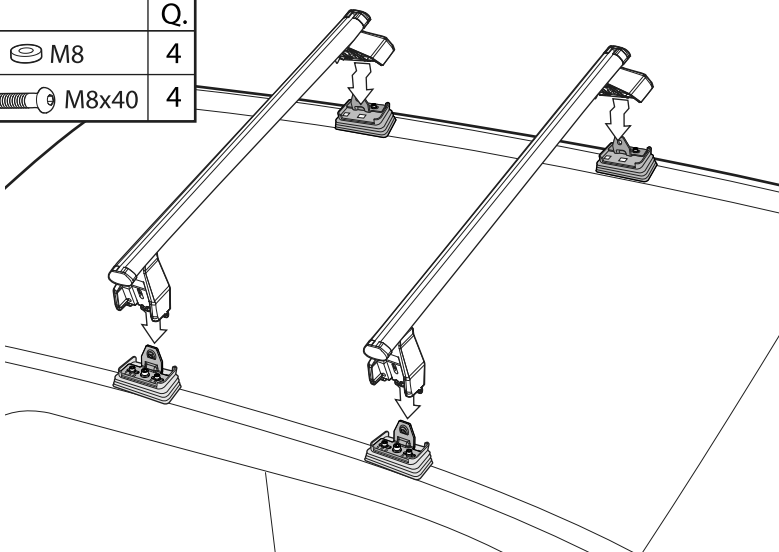
N.		Q.
2		1
3	A	2
9		M6x45
3	B	2
9		M6x35
6		Ø6x12
7		M6
11		M8



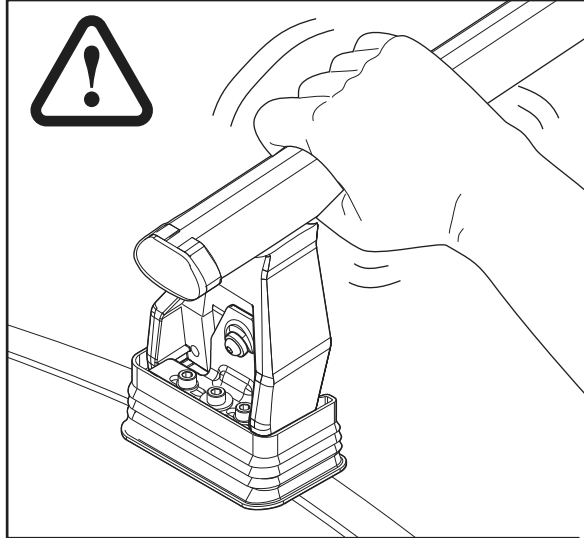
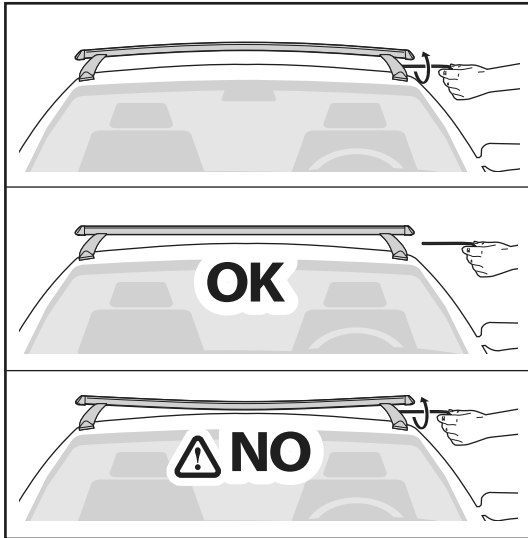
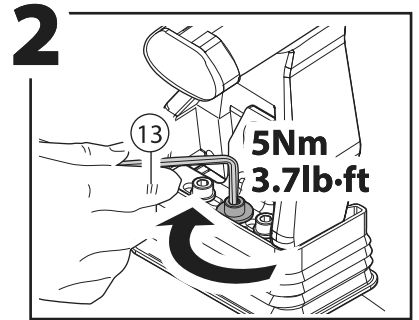
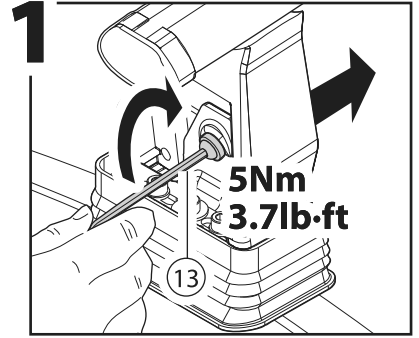
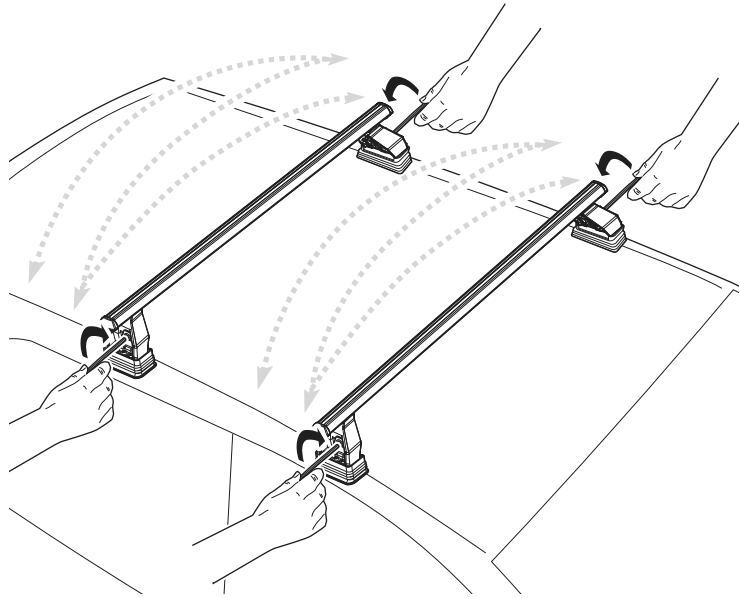
N.		Q.
1		1
8		M8
10		



N.		Q.
4		M8
5		M8x40

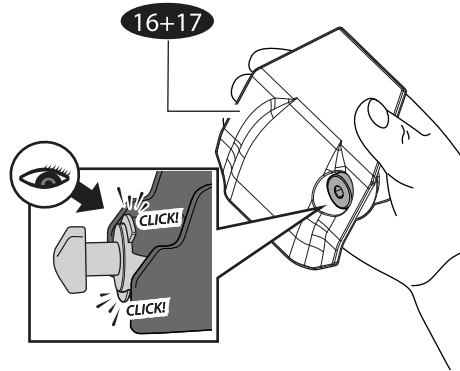
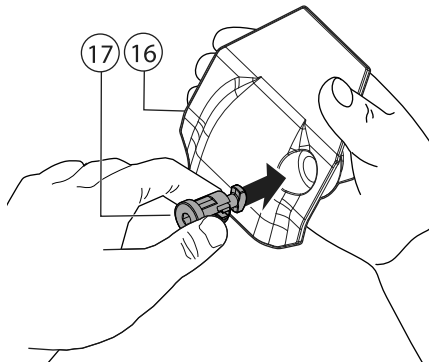


11

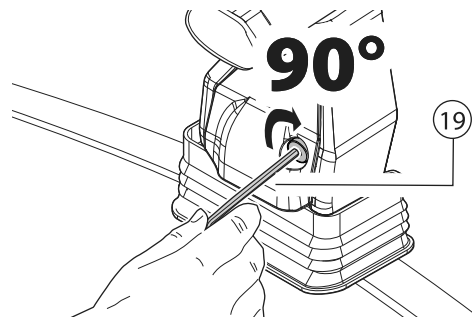
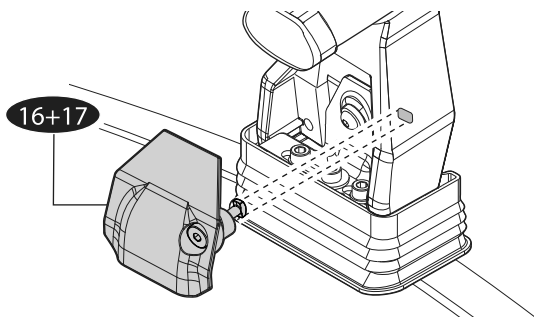


12

N.		Q.
16		1
17		1

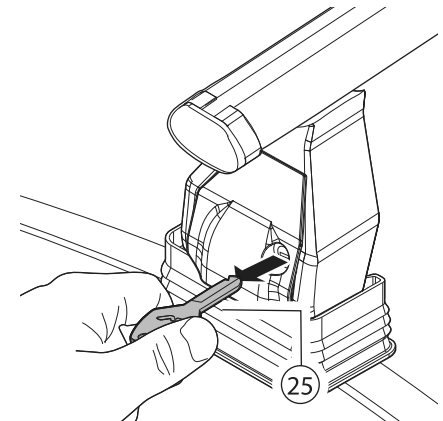
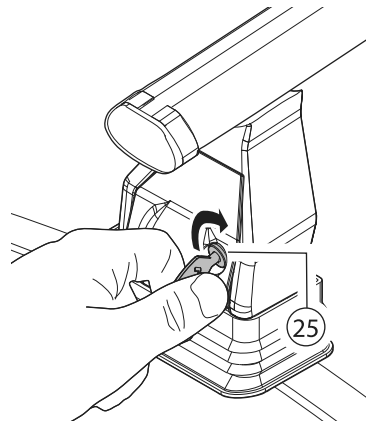
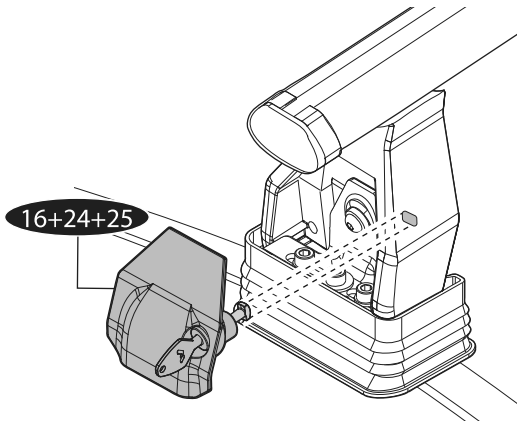
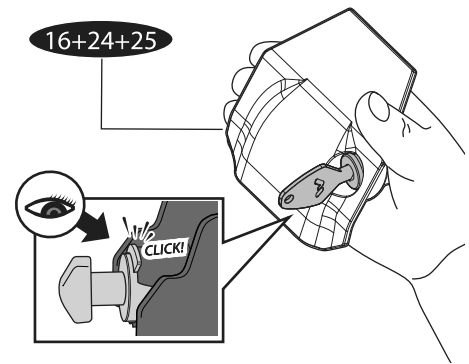
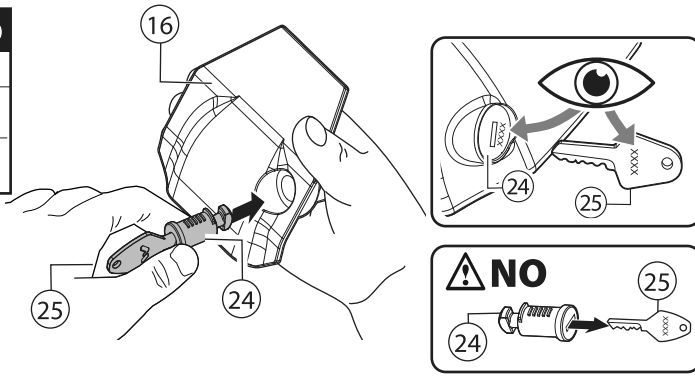


X4



**KIT 000032900000**

N.		Q.
24		1
25		1



**FIXING KIT**

N.	[IT] Ricambi (A Richiesta) [EN] Spare Parts (Made to order) [FR] Pièces de rechange (Sur commande) [DE] E Teile (auf Anfrage) [ES] Piezas de recambio (Previa solicitud)	Q.	Codice-Code-Código
1		1	700009300000
2		1	700009800000
3	A	8	700009400000
	B	8	
4	Ø8x18	4	700009500000
5	M8x40	4	
6	Ø6x12	8	
7	M6	8	
8	M8	4	
9	M6x35	8	
	M6x45	8	
10	M7x40	4	
	M8x50	4	
11	M8	1	

**SUPPORT KIT**

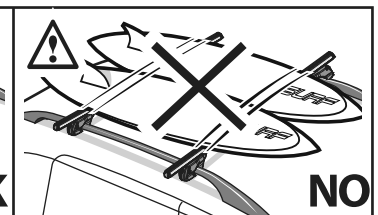
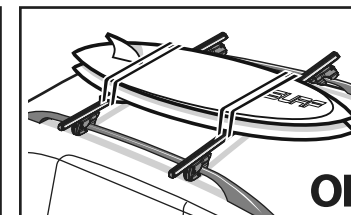
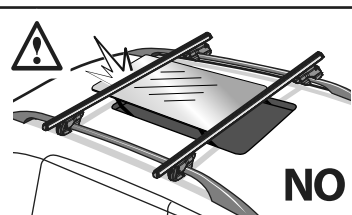
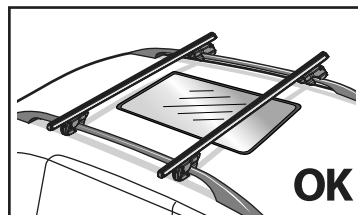
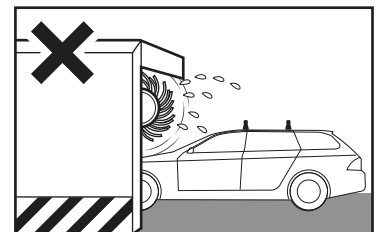
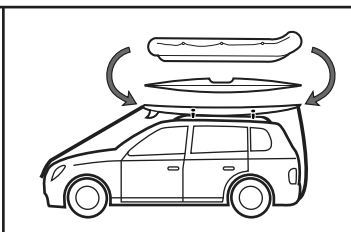
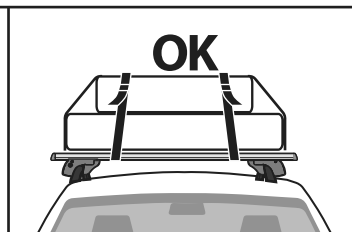
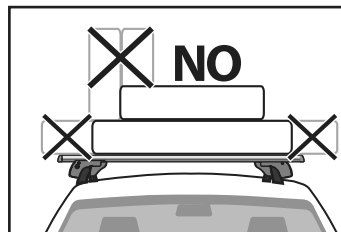
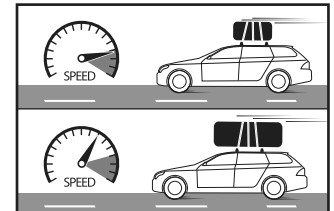
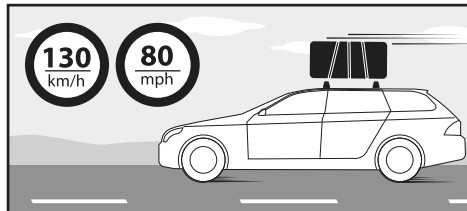
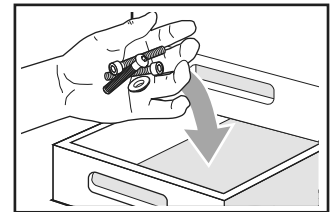
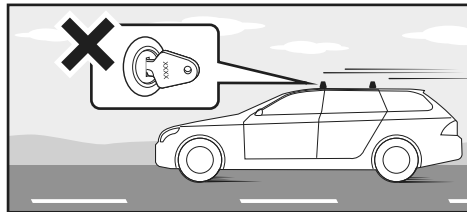
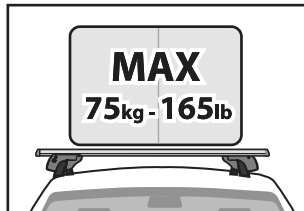
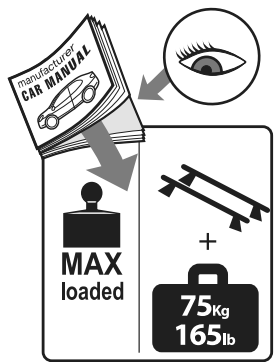
N.	[IT] Ricambi (A Richiesta) [EN] Spare Parts (Made to order) [FR] Pièces de rechange (Sur commande) [DE] E Teile (auf Anfrage) [ES] Piezas de recambio (Previa solicitud)	Q.	Codice-Code-Código
15		1	700008700000
16		1	
17		1	
18		1	700008800000
16		4	
17		4	
18		4	700008900000
19	5mm/0.2"	1	700025000000

**BAR KIT**

N.	[IT] Ricambi (A Richiesta) [EN] Spare Parts (Made to order) [FR] Pièces de rechange (Sur commande) [DE] E Teile (auf Anfrage) [ES] Piezas de recambio (Previa solicitud)	Q.	Codice-Code-Código
13		4	700009000000
14		4	700009100000

**ALUMINIUM BAR KIT**

N.	[IT] Ricambi (A Richiesta) [EN] Spare Parts (Made to order) [FR] Pièces de rechange (Sur commande) [DE] E Teile (auf Anfrage) [ES] Piezas de recambio (Previa solicitud)	Q.	Codice-Code-Código
21		4	700009200000
22		4	700009100000
23		2	700007900000



F.lli Menabò S.r.l.  
 Via 8 Marzo, 3 -Z.I. Corte Tegge  
 42025 Cavriago (RE) ITALY  
 e-mail: [customer-care@flli-menabo.it](mailto:customer-care@flli-menabo.it)  
[www.menabocaraccessories.com](http://www.menabocaraccessories.com)

Cod.Istr.	500007900000
Data	12/10/2020

Product registration EU:

- IT) [eu.menabocaraccessories.com/ita/product-support-ita](http://eu.menabocaraccessories.com/ita/product-support-ita)
- EN) [eu.menabocaraccessories.com/eng/product-support-eng](http://eu.menabocaraccessories.com/eng/product-support-eng)
- DE) [eu.menabocaraccessories.com/deu/product-support-deu](http://eu.menabocaraccessories.com/deu/product-support-deu)
- FR) [eu.menabocaraccessories.com/fra/product-support-fra](http://eu.menabocaraccessories.com/fra/product-support-fra)
- ES) [eu.menabocaraccessories.com/esp/product-support-esp](http://eu.menabocaraccessories.com/esp/product-support-esp)

Product registration US/CA:

- EN) [us.menabocaraccessories.com/en/product-support](http://us.menabocaraccessories.com/en/product-support)
- FR) [us.menabocaraccessories.com/fr/support-produit](http://us.menabocaraccessories.com/fr/support-produit)
- ES) [us.menabocaraccessories.com/es/soporte-de-producto](http://us.menabocaraccessories.com/es/soporte-de-producto)

[www.menabocaraccessories.com](http://www.menabocaraccessories.com)

Name

Surname

Email

Telephone

Serial number

Product name